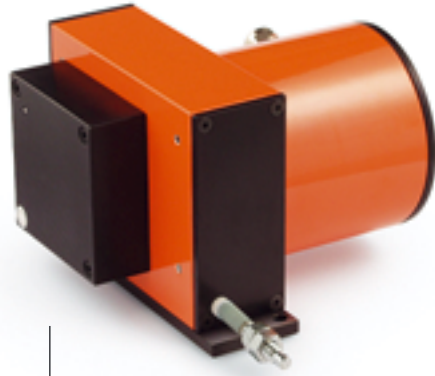


Wire-actuated encoder SGP

Wire-actuated encoder with analog output, potentiometric or current source, up to 6 000 mm measurement length. Easy adaptation of potentiometer/resistance range to the actual measurement range via integrated gear.

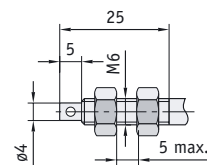
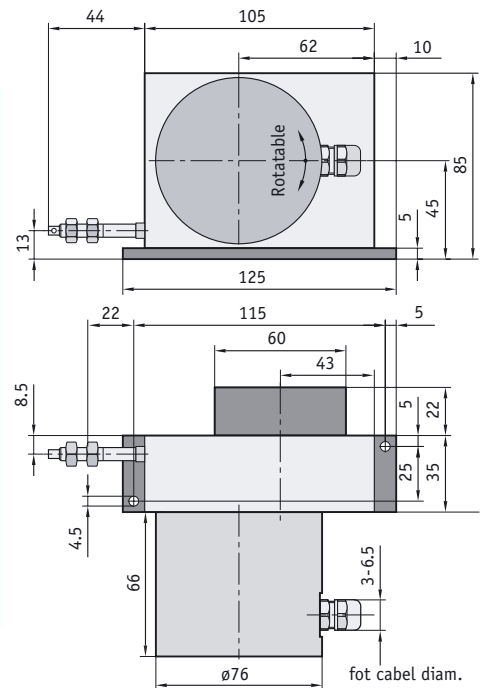


Features:

- measurement lengths up to 6000 mm
- robust aluminium housing

Options

- transducer interface 4 ... 20 mA
- choice of cable types:
 - (S) steel cable: stainless, standard design
 - (SK) steel cable with plastic sheath:
 - low surface wear, 2 times more tear-resistant than steel cable
 - (P) para-line: 4 times more tear-resistant than steel cable



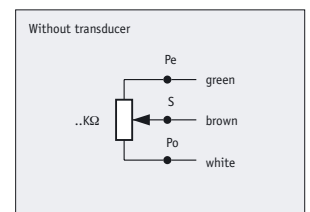
Output circuits/interfaces



Encoder type: Potentiometric

Resistance values 1, 2, 5, 10 kΩ
 Extension length 0 mm : 0 Ω

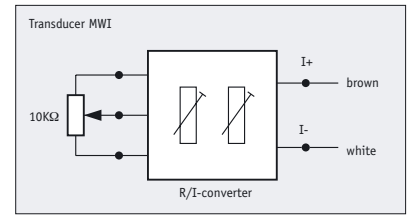
Potentiometer option:	(Type 01)	(Type 02)	(Type 03)
Linearity	±1 %	±0.25 %	±0.25 %
Resistance tolerance	±10 %	±5 %	±5 %
Load rating	2 W	1 W	2 W
Measurement length	< 500 mm	> 500 mm	> 500 mm





Encoder type: Current source (transducer)

Output current	4 ... 20 mA
Resistance value	10 kΩ
Operating voltage	15 ... 28 V DC
Max. load resistance	< 500 Ω
Power consumption	max. 40 mA
Working temperature	0 ... 50 °C



Transducers...

... enable maximum adjustment of the output current to the measurement range. The start and end points of the measurement range can be adjusted exactly to 4 ... 20 mA output current via trimming potentiometers.

Measurement range [mm]	250	500	750	1000	1250	1500	1750	2000	2250	2500	2750	3000	3250	3500	... 6000
Max. travel speed [mm/s]	700	1000	200	300	300	400	490	500	600	700	800	800	900	1000	... 1000

Feature	Ordering data	Technical data	Additional information
Travel speed		see table	
Required cable extension force		min. 8 N on cable	
Extension length		measurement range +10 mm	
Repeat accuracy		dependent on start direction, ~0.5 mm	
Type of protection		for potentiometer part: IP53	
Working temperature		approx. -10 °C ... +80 °C	
Housing		aluminium	
Colour		orange, RAL 2004	others on request
Weight		approx. 950 g	
Measurement range	... A	measurement ranges [mm], see table	max. travel speed length-dependent, see table above
Cable version*	S B	stainless steel cable	measurement range max. 6000 mm, standard
	SK B	steel, plastic-sheathed	measurement range max. 4000 mm
	P B	para-line, non-conducting, signal colour	measurement range max. 2750 mm
Potentiometer type	01 C	1 turn	measurement range ≤ 500 mm
	02 C	10 turn	measurement range > 500 mm
	03 C	10 turn	measurement range > 500 mm
Resistance value	1 D	kΩ	others on request
	2 D	kΩ	
	5 D	kΩ	
	10 D	kΩ	
Transducer	X E	without	
	M E	with transducer	4 ... 20 mA

** Cable thicknesses: S = diam. 0.54 mm, SK = diam. 0.87 mm, P = diam. 1.05 mm

Your order: - - - - -