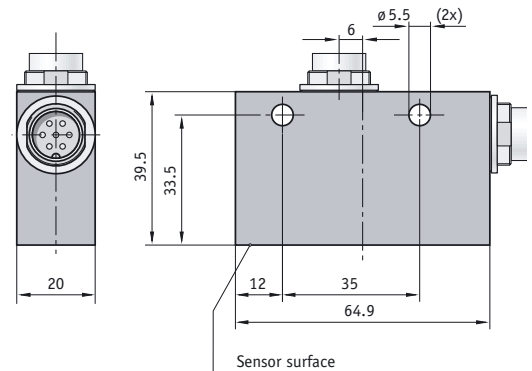


Magnetic sensor MSA510

This sensor gathers the absolute length information of the coded MBA magnetic strip and forms an absolute, linear distance or position measuring system for measuring lengths up to 5 120 mm.



Features:

- compact design with integrated translation module
- SSI interface
- measuring length up to 5 120 mm
- accuracy class 0.05 mm, resolution 0.01 mm
- strip/sensor gap max. 1.0 mm
- use with MBA magnetic strip

Feature	Ordering data	Technical data	Additional information
Output circuit	SSI	incl. RS485 service interface	standard
	RS485	SIKO standard protocol	
Cable outlet	I	on the side	standard
	II	upward	
Connection	EX	without mating connector, 7-pin round conn.	standard
	E1	flying lead	
	E8	cable with 9-pin D-SUB connector	
Cable length	1.0	0.2 - 20.0 m	standard , only for E1/E8
Measuring length		max. 5 120 mm	
Voltage supply		24 V DC $\pm 20\%$	
Power consumption		< 3.0 VA	
Travel speed		max. 5 m/s	
Resolution		0.01 mm	
System accuracy		$\pm (0.05 + 0.03 \times L)$ mm, L in m	at $T_U = 20\text{ }^\circ\text{C}$
Repeat accuracy		max. 0.01 mm	
Strip/sensor gap		max. 1.0 mm	
Cycle time		< 2 ms	
Calibration input		positive switching (24 V DC)	
Temperature ranges		working temperature -20 ... +60 $^\circ\text{C}$	storage temperature -20 ... +70 $^\circ\text{C}$
Protection class, test mark		3 according to IEC 801	CE
Type of protection		IP 65	according to DIN VDE 0470
Housing		transparent chromated aluminium	
Mounting		2 lateral fastening bores	

Accessories in the annex: cable extension, angle and straight coupling boxes

Your order: - - - -