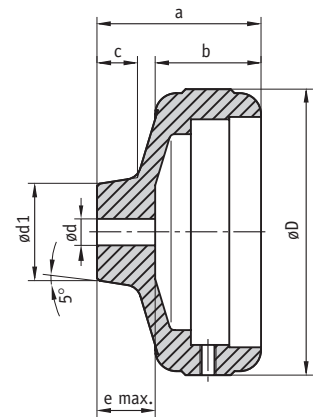


Handwheel HR...

A very high quality, knurled aluminium handwheel for housing SIKO position indicators.



Features:

- compact design
- robust configuration made of aluminium
- surface plastic coated, anodised or blank

Option:

various hub options

Type	øD	ødv	ødx	ød1	a	b	c	e	Suitable for	Weight
HR 6	65	5.8	16*	30	50	35	15	20	S50/1	0.3 kg
HR 11	108	5.8	20	36	62	40	15	22	S80/1; SZ80/1	0.5 kg

*ø17-20 without groove, pin hole, turned-down hub possible
dv = d pre-drilled; dx = d max.

Feature	Ordering data	Technical data	Additional information
Handwheel	HR... A	see table above	
Surface	B ES EF	B without varnish black anodised naturally anodised others on request	standard
Bore ød	d pre-dr. ... C	pre-drilled, see table above, value ødv d max. in mm steps (H7)	standard see table above (smallest bore corresponding to d pre-dr.)
Key groove	OP JS9 P9 D	without key groove transition fit press fit	standard acc. to DIN 6885 T1 acc. to DIN 6885 T1
Pin hole (only without key groove)	OS No. x ø/f E	without pin hole see fold-out page	standard no. of pinholes x diameter/dimension f e.g. 2x3.8/12
or			
Hub thread	ONG No x ø/f F	without hub thread see fold-out page	standard no. of hub threads x diameter/dimension f e.g. 2xM4/12
Turned-down hub	OAG d1 (f7)xl G	without turned-down hub see fold-out page	standard dependent on d max.
Position indicator mounted (*)	PM PS H	position indicator mounted position indicator separate	standard
Material		aluminium	

* separate ordering of a position indicator necessary! (> see pages 9/10)

Your ordering data: - - - - - - - -