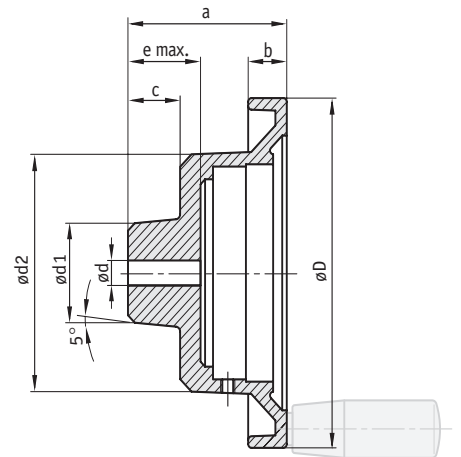


Handwheel HK.../HKL...

A classic made of cast aluminium that can be utilised very flexibly as a result of a series of selectable diameters.



Features:

- robust design

Option:

- various hub options
- surface plastic coated

| Type | øD | ødv | ødx | ød1 | ød2 | a | b | c | e | l2 | GfG | Suitable for | Weight |
|--------|-----|-----|-----|-----|-----|----|----|----|----|----|------|---------------|--------|
| HK 8 | 80 | 5.8 | 16 | 26 | 60 | 52 | 14 | 20 | 21 | 43 | M6 | S50/1 | 0.2 kg |
| HK 10 | 100 | 5.8 | 16 | 26 | 60 | 55 | 15 | 20 | 23 | 43 | M6 | S50/1 | 0.4 kg |
| HK 12 | 120 | 6.8 | 25 | 40 | 95 | 64 | 15 | 23 | 30 | 43 | M6 | S80/1; SZ80/1 | 0.5 kg |
| HK 14 | 140 | 7.8 | 25 | 40 | 95 | 70 | 17 | 23 | 30 | 65 | M8 | S80/1; SZ80/1 | 0.6 kg |
| HK 16 | 160 | 7.8 | 25 | 40 | 95 | 70 | 20 | 23 | 24 | 65 | M8* | S80/1; SZ80/1 | 0.7 kg |
| HK 20 | 200 | 7.8 | 30 | 45 | 95 | 75 | 22 | 25 | 32 | 80 | M10* | S80/1; SZ80/1 | 0.8 kg |
| HKL 20 | 200 | 7.8 | 30 | 45 | 132 | 75 | 22 | 25 | 31 | 80 | M10* | S120/1 | 0.9 kg |

*also with reversing handle possible, for this GfG = 6.4
dv = d pre-drilled; dx = d max.; GfG = thread for handle

| Feature | Ordering data | Technical data | Additional information |
|------------------------------------|---------------|---|--|
| Handwheel | HK... | see table above | |
| | HKL... | see table above | |
| Surface | B | without varnish | standard |
| | C | plastic-coated, hammer finish, light grey | |
| | CS | plastic-coated, black RAL9005 half-matt | |
| Handle bore | OG | without handle bore | |
| | ... | with handle bore or thread | see table above, value GfG (or also 6.4 possible) |
| Bore ød | d pre-dr. | pre-drilled, see table above, value ødv | standard |
| | ... | d max. in mm steps (H7) | see table above (smallest bore corresponding to d pre-dr.) |
| Key groove | OP | without key groove | standard |
| | JS9 | transition fit | acc. to DIN 6885 T1 |
| | P9 | press fit | acc. to DIN 6885 T1 |
| Pin hole (only without key groove) | OS | without pin hole | standard |
| | No. x ø/f | see fold-out page | no. of pinholes x diameter/dimension f e.g. 2x3.8/12 |
| or | | | |
| Hub thread | ONG | without hub thread | standard |
| | No x ø/f | see fold-out page | no. of hub threads x diameter/dimension f e.g. 2xM4/12 |
| Turned-down hub | OAN | without turned-down hub | standard |
| | d1 (f7)xL | see fold-out page | dependent on d max. |
| Position indicator mounted (*) | PM | position indicator mounted | standard |
| | PS | position indicator separate | |
| Material | | aluminium | |

* separate ordering of a position indicator necessary! (> see pages 9/10)

Your ordering data: - - - - - - - - -