

Digital Position Indicator DK05

Small size control knob with digital position indicator for use on adjustment units.



SIKO GmbH

Address

Weiherrmattenweg 2
79256 Buchenbach

Telephone

+49 7661 394-0

Fax

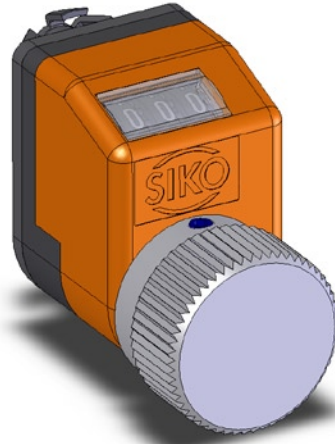
+49 7661 394-388

eMail

info@siko.de

Internet

www.siko.de



Features:

- Max. diameter of control knob shaft 10mm
- Various display values according to the application
- 3-digit digital readout

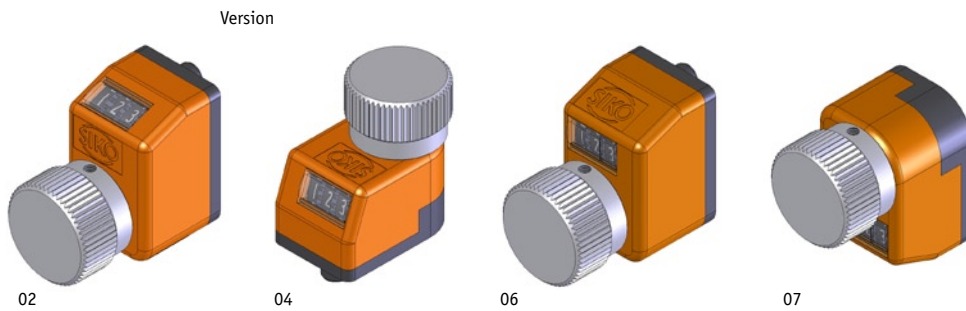
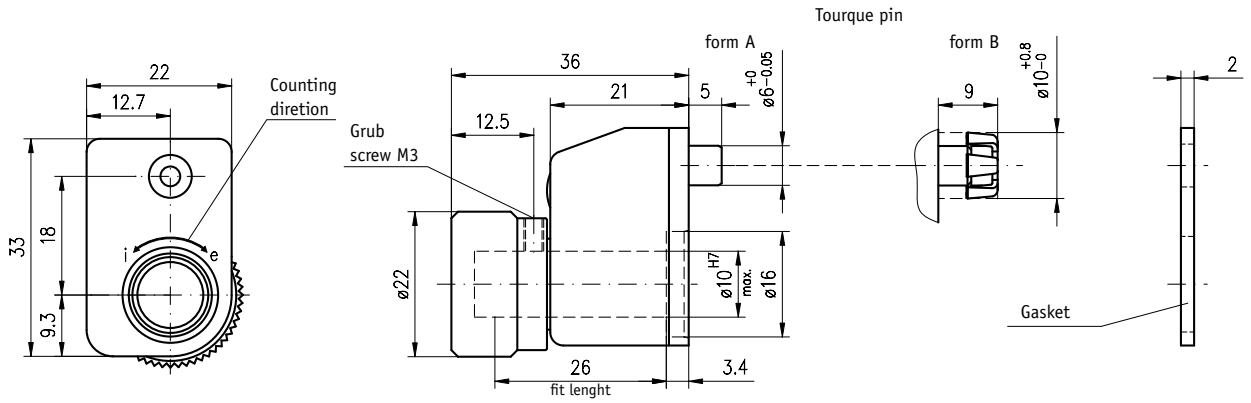
Options:

- Reducing sleeve for various shaft diameters
- Housing colour orange or black

Feature	Order Text	Additional information
Version	02	see the icons on the back showing the mounting position
	04	
	06	
	07	
Display after the first revolution	... B 7/5, 10, 12/5, 15, 17/5, 20, 25, 30, 40, 50, 60, 80, 100	others on request
Comma position	0 C 000	
	1 00.0	
	2 0.00	
Counting direction	e D left rising	
	i right rising	
Hollow-shaft diameter	10 E ø10H7	standard
	RH8 reduction sleeve ø8H7	
Colour	0 F orange	
	S black	
Torque/form	A F cylindrical pin	
	B for tolerance compensation	

Your ordering: - - - - - -

Digital Position Indicator DK05



Technical data

Mechanical data:

Counting mechanism	3 - digit
Digit height	ca. 4.0mm
Housing	plastic
Control knob shaft	$\phi 10H7$, slide bearing, aluminium anodized
Ambient temperature	max. +80°C
Weight	ca. 0.02kg

Additional information

Accessory	RH07	Reducing sleeve	with grub screw M3
------------------	------	-----------------	--------------------