

Position Indicator DK03

Compact adjusting device consisting of control knob with integral analog position indicator. Easy mounting and little required space make DK03 universally applicable.



SIKO GmbH
Dr.-Ing. G. Wandres

Address
Weihermattenweg 2
79256 Buchenbach

Telephone
+49 7661 394-0

Fax
+49 7661 394-388

E-Mail
info@siko.de
Internet
www.siko.de



+



=



Features:

- control knob with integrated analog position indicator
- various ratios available
- various mounting positions

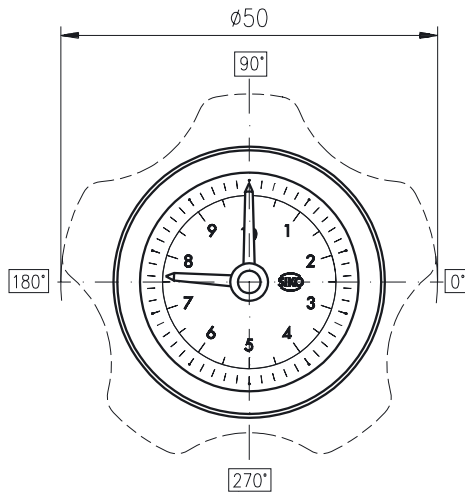
Options:

- star knob
- special ratios

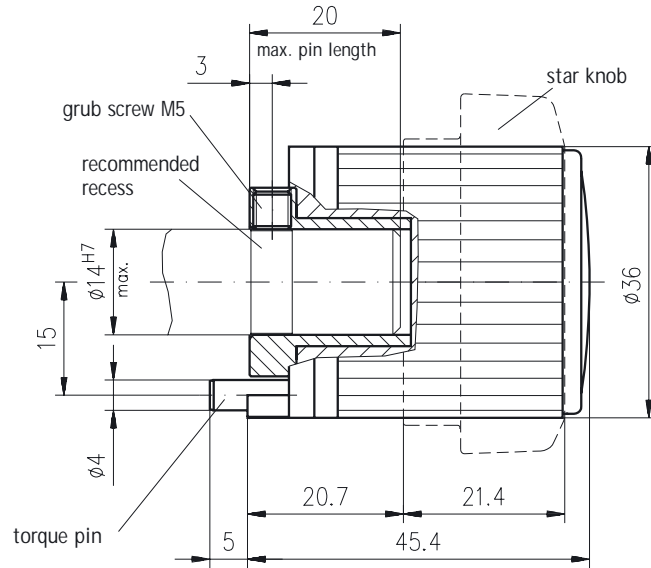
Feature	Order Text	Additional information
Gear ratio	... 2; 3; 6; 10; 12; 15; 18; 20; 24; 30; 36; 48	others on request
Counting direction	i B clockwise increasing	
	e counter-clockwise increasing	
Pointer	1 C geared red pointer	
	2 geared red pointer + 1:1 black pointer	
Scale	N.. D normal scale	standard, related to the gear ratio
	VK.. special scale	customer-specified
Multicolor scale	C1 E 1-color	standard
	C2 2-color	
	C3 3-color	
Hollow shaft/diameter	14 F standard; ø14 ^{H7}	
	RH8 reducing sleeve	ø8 ^{H7}
	RH10 reducing sleeve	ø10 ^{H7}
	RH12 reducing sleeve	ø12 ^{H7}
Torque pin/position	270 G	standard
Handwheel form	RA H knurled handle	standard
	ST star knob	
Handwheel color	FR I fire red RAL 3000	

Your ordering: - - - - - - - -

Position Indicator DK03



Grub screw and torque pin position adjusted to show "0" in the display.



Technical data

Housing	plastic
Weight	0.07kg
Ambient temperature	max. 80°C

Additional information