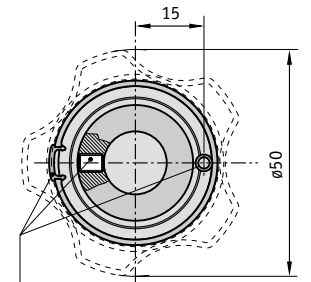
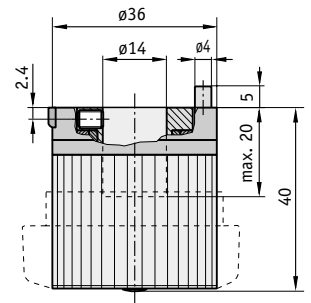
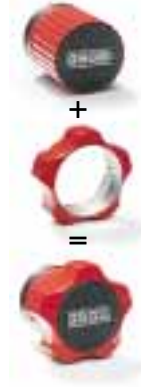


# DigiTurn DK01

The control knob and digital position indicator are incorporated in a compact adjustment unit. The DigiTurn can be universally applied due to the minimum expenditure and space requirement.



Lid, Grub Screw M4,  
Torque Pin  
aligned to display „0“

## Features:

- Control knob with integrated position indicator
- Various display values
- Display at the front

## Option:

- Star knob
- Special display ratios

Feature	Ordering data	Technical data	Additional information
Display after 1 revolution	e.g 15 <b>A</b>	12/5*; 15; 17/5*; 20; 25; 30; 40; 50; 100	
Comma position	0 or 1,2,3 <b>B</b>	e.g. 1 = 0.0 or 2 = 0.00	
Counting direction	I E <b>C</b>	clockwise increasing counter-clockwise increasing	
Hollow shaft bore	14 RH12 RH10 RH8 <b>D</b>	ø 14 <sup>H7</sup> reducing sleeve on ø 12 <sup>H7</sup> reducing sleeve on ø 10 <sup>H7</sup> reducing sleeve on ø 8 <sup>H7</sup>	standard
Handwheel form	RA ST <b>E</b>	knurled handle star knob	standard
Handwheel colour	FR <b>F</b>	fire red RAL3000	
Counter		4 decades, fine reading	digit size appr. 6 mm
Housing		plastic	
Weight		0.06 kg	
Ambient temperature		max. 80 °C	

\* The numbers following the slash „/“ are analytical values, which will not be displayed.

Your ordering data:  -  -  -  -  -  -