

Digital Position Indicator DA04

Lense function, attenuated counters, display in mm or inch – all these service features render this particularly small position indicator an indispensable instrument for small spindle distances.

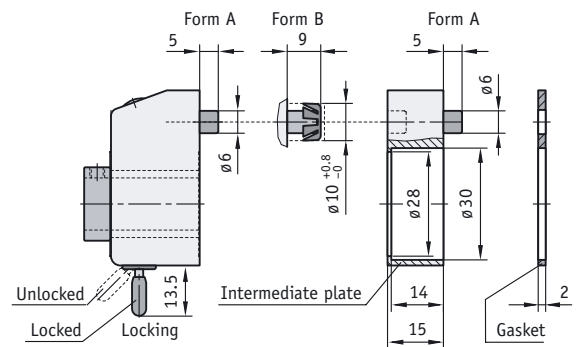
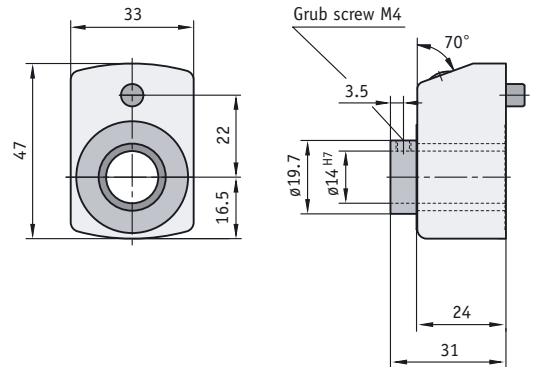


Features:

- intermediate plate for accommodation of adjustment rings and rotary shaft lip seals
- hollow shaft, max. diameter 14 mm
- axial seals (dustproof)
- clamping plate, see Accessories

Option:

- Nirosa driving shaft
- counter cover made of mineral glass, solvent-resistant
- reduction sleeves for various diameters



DA04

Display after the first revolution	max. velocity (min ⁻¹)
0010	500 (1.500)
0015	500 (1.000)
0020	500 (750)
0025	500 (600)
0030	500
0040	375
0050	300
0060	250
0080	180
0100	150

Caution: velocities > 500 min⁻¹ should be operated for a short while only.

Formula for max. velocity = $\frac{15.000}{\text{Display after the first revolution}}$

Display	Mounting position				Counting direction
 Fine reading	 02	 04	 06	 07	

For the DA04, suitable reduction sleeves, an axial seal, a locking mechanism and intermediate plate are available (see Accessories)

Feature		Technical data	Additional information
Counting mechanism		4 decades, fine reading	
Digit height		approx. 6.0 mm	
Housing		polyamide 6, shockproof	
Weight		0.05 kg	
Ambient temperature		max. +80 °C	
Ordering data			
Version/mounting position	02 04 06 07	A	see the icons on the product page showing the mounting position
Display after the first revolution	...	B 10, 20, 25, 35, 40, 50, 60, 80, 100, 15/75 wide range of other values on request	/75 = arithmetical value not displayed
Comma position	0 1 2 3	C 0 = 0000 1 = 000.0 2 = 00.00 3 = 0.000	
Counting direct. = ascending values	i e	D ascending values clockwise ascending values counter-clockwise	
Hollow-shaft diameter in mm	...	E 14, 12.7, 15, 16 VA5, VA10, VA14, VA15 RH4, RH6, RH8, RH10, RH12	stainless steel reduction sleeve
Housing colour	0 S GR FR	F orange RAL 2004 black RAL 9005 grey RAL 7035 blazing red	standard
Torque pin/form	A B	G form A form B	standard
Viewing window	K M OS	H plastic mineral glass without viewing window	standard
Axial seal	OAD AD	I without axial seal with axial seal	standard see "Important information in advance"
Lock/hollow shaft	OAR AR	K without lock with lock	standard anti-vibration protection M ~ 20 Ncm
Intermediate plate	OZP ZP	L without intermediate plate with intermediate plate	standard
Gasket	BP GK	M enclosed glued	standard
Direction arrow	ORP P/M M/P	N without direction indicating arrow plus/minus minus/plus	standard see annex see annex

Your order: - - - - - - - - - -

- - -