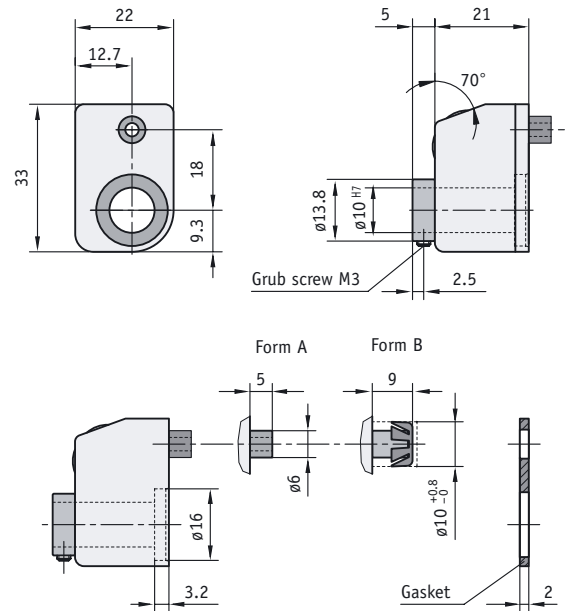


Digital Position Indicator DA02

DA02 is SIKO's smallest digital indicator. The specially small design of the DA02 is ideal for very restricted space conditions or minimum spindle distances. Technically and qualitatively this small version can take the larger ones on any time.



Features:

- ultra-small design
- minimum shaft distance 19 mm
- display adjustable for "mm" or "inch"

Option:

- Nirosta driving shaft
- reduction sleeves for various diameters

DA02

Display after the first revolution	max. velocity (min ⁻¹)
010	500 (1.500)
015	500 (1.000)
020	500 (750)
025	500 (600)
030	500
040	375
050	300
060	250
080	180
100	150

Caution: Velocities >500 min⁻¹ must be operated for a short while only.

Formula for max. velocity = $\frac{15.000}{\text{display after the first revolution}}$

Display	Mounting position				Counting direction
1 2 3	 02	 04	 06	 07	 e i

For the DA02, suitable reduction sleeves are available (see Accessories)

Feature	Technical data	Additional information
Counting mechanism	3 decades	
Digit height	approx. 4.0 mm	
Housing	polyamide 6, shockproof	
Weight	0.02 kg	
Ambient temperature	max. +80 °C	

Ordering data

Version/mounting position	02 04 06 07	A		see the icons on the product page showing the mounting position
Display after the first revolution	...	B	10, 20, 25, 30, 40, 50, 60, 80, 100, 12/5 wide range of other values on request	/5 = arithmetical value not displayed
Comma position	0 1 2	C	0 = 000 1 = 00.0 2 = 0.00	
Counting direct. = ascending values	i e	D	ascending values clockwise ascending values counter-clockwise	
Hollow-shaft diameter in mm		E	10 VA10 RH6, RH7, RH8	stainless steel reduction sleeve
Housing colour	0 S	F	orange RAL 2004 black	standard
Torque pin/form	A B	G	form A form B	standard

Your order: - - - - - - -