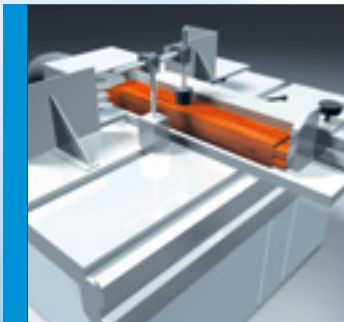


New!

MAG^{SCALE}* – „electronic ruler“

Magnetic length measurement with digital indication of position values
in a mains-independent compact housing for end stop systems

- functional **low-budget solution**
- unites all the **advantages of magnetic measurement technology**
- self-sufficient, **completely mains-independent integration** into many applications
 - very **easy handling**
 - extremely **long service life**
 - **absolute measurement** via battery backup
 - **display accuracy** of 0.1 mm



*The functionality of MAG^{SCALE} has been designed to meet the most important measurement tasks in industry and craft. Particularly suitable above all for use with length and angle end stops in the wood, metal and plastic processing industries (e.g., sliding-table saws, die bending presses, sheet stamping presses ...).



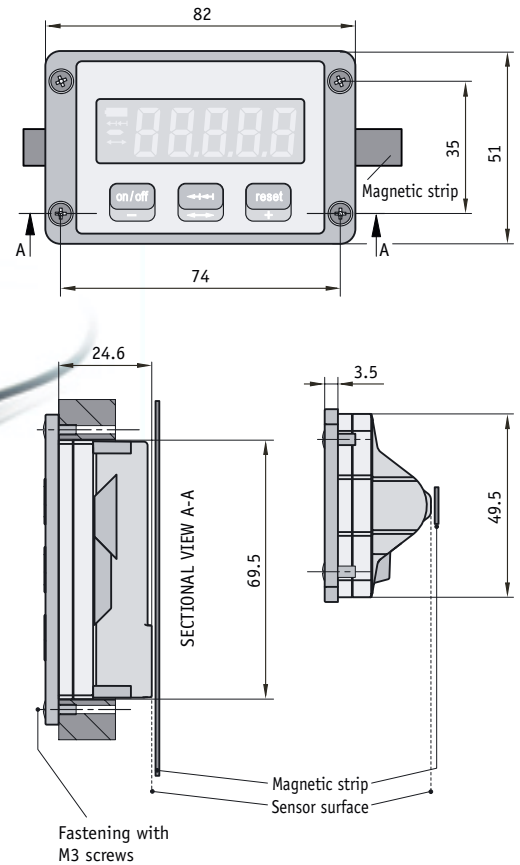
MAG^{SCALE} MA508

Self-sufficient, "electronic ruler" for direct sensing and display of positions, e.g., on stop systems. Owing to its easy integration and extremely long run time, the system provides highest flexibility to the customer.



Features:

- low-budget solution with high flexibility of use
- up to 10 years run time without battery change
- lowest-power LCD with integrated sensor
- small, compact design for perfect integration, e.g., into end stop systems
- additional design available for OEM products
- display resolution 0.1 mm

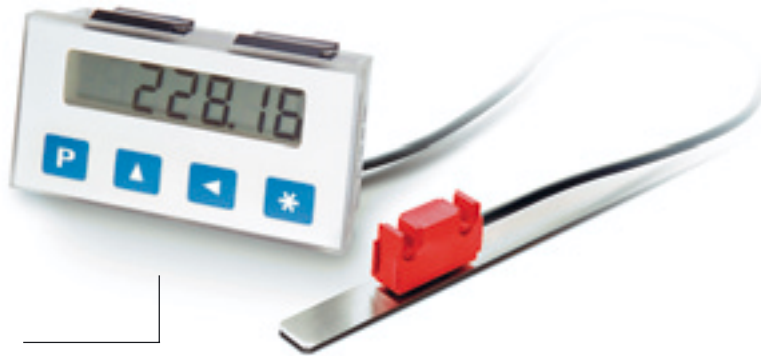


Feature	Ordering data	Technical data	Additional information
Sensor version	IS ES	A integrated sensor external sensor	standard
Sensor type	L	B rectangular design with elongated hole	only for sensor version ES
Sensor cable length	0.1	C information in meters	available in 0.2 and 0.3 m
Service life		> 10 years at 20 % duty cycle approx. 9 years at 40 % duty cycle approx. 6 years at 100 % duty cycle	at Tu 20 °C at Tu 20 °C at Tu 20 °C
Design		panel-mount housing	
Battery		internal, 3.0 V DC, lithium cell	low-batt indication on the display
Display		LCD	
Display range		-99999... +99999	
Parameter settings		non-volatile programming	via external PTM module
Sensing distance sensor/strip		max. 2 mm	
Operating elements		3 keys, membrane keyboard	duplicate assignment of keys
Resolution		max. 0.1 mm	additional resolutions programmable
Repeat accuracy		±1 digit	
Temperature ranges		operating temperature 0 °C ... +60 °C	storage temperature -20 ... +70 °C
Humidity		95 % rH, condensation not permitted	

Your ordering data: MA508 - EG - A - B - C

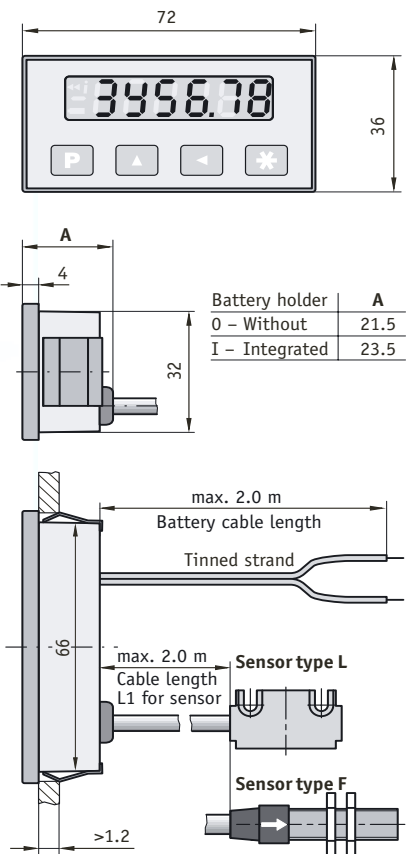
Magnetic display MA504

Mains-independent, quasi-absolute magnetic display with lowest-power technology for direct position and angle sensing, e.g., on end stop systems. Owing to easy integration, the systems offers maximum flexibility to the customer.



Features:

- lowest-power LCD with metric and decimal-inch display
- many years of service life without battery change
- very small and compact design
- battery operation 1.5 VDC to 3 VDC
- display resolution 0.01 mm



Feature	Ordering data	Technical data	Additional information
Design	EG	panel-mount housing	standard
	EGH	panel-mount housing with shackle	
Magnetic sensor	L	rectangle with elongated hole	standard
	F	round design	
Sensor cable length	0.3	information in meter	available up to max. 2.0 m
Power consumption		max. 170 μ A @ 3 V DC, <50 μ A standby	max. 350 μ A @ 1.5 V DC, <100 μ A standby (battery monitoring)
Voltage supply		1.0 ... 3.3 V DC	strand (external battery holder)
Sensing distance sensor/strip		max. 2 mm	
Display/display range		6-digit LCD	-999 999 ... +999 999
Operating elements		4 keys, membrane keyboard	
Resolution		max. 0.01 mm programmable	
Scale		MB500/MR500	
System accuracy		0.1 mm	
Repeat accuracy		\pm 1 increment	
Temperature ranges		operating temperature 0 °C ... +60 °C	storage temperature -30 °C ... +80 °C

Your ordering data: MA504 - - - - 0.3 - L - 0

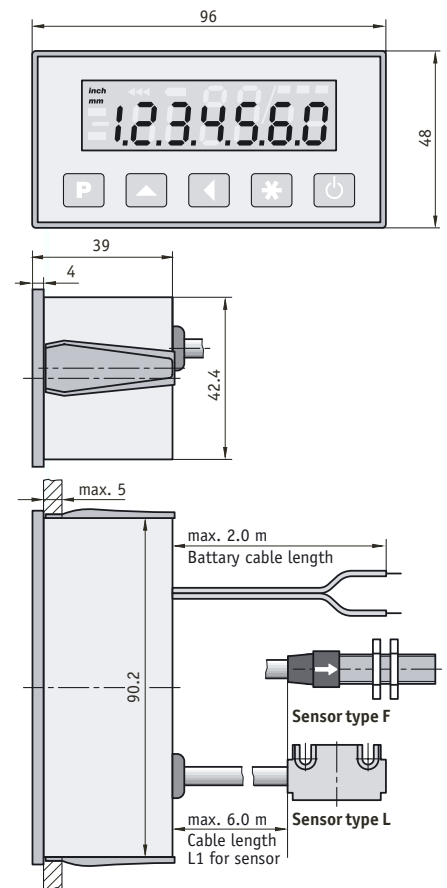
Magnetic display MA503/1

Mains-independent, quasi-absolute magnetic display for direct position sensing, e.g., on end stop systems. Owing to easy integration, the systems offers maximum flexibility to the customer.



Features:

- lowest power LCD with decimal and fraction-inch function
- sensing distance sensor/strip up to 2.0 mm
- battery-operated (e.g., type LR14)
- quasi-absolute thanks to battery-buffered memory
- display resolution decimal 10 μm
- display resolution 1/16 inch



Feature	Ordering data	Technical data	Additional information
Housing	EG40	panel-mount housing, depth approx. 40 mm	standard
	EG40H	assembly housing, integr. battery compartment	
	EG10	short design, depth approx. 10 mm	
	ES	installation kit, customer-specific versions avail.	
Operating voltage	7	3.0 V DC	
	8	1.5 V DC	
Sensor design	L	rectangle with elongated hole	standard
	F	round design	
Sensor cable length	0.3	information in meters	available up to max. 2 m
Power consumption		approx. 400 μA	with battery monitoring
Sensing distance sensor/strip		max. 2 mm	
Display		LCD, approx. 12.5 mm high	decimal up to 10 μm , fraction-inch up to 1/16 inch
Operating elements		5 keys, membrane keyboard	with ON/OFF function
Resolution		max. 10 μm , programmable	
Scale		MB500/MR500	
Accuracy class		0.1 mm	
Repeat accuracy		± 1 digit	
Temperature ranges		operating temperature 0 °C ... +60 °C	storage temperature -30 °C ... +80 °C

Your ordering data: MA503/1 - - - - - -

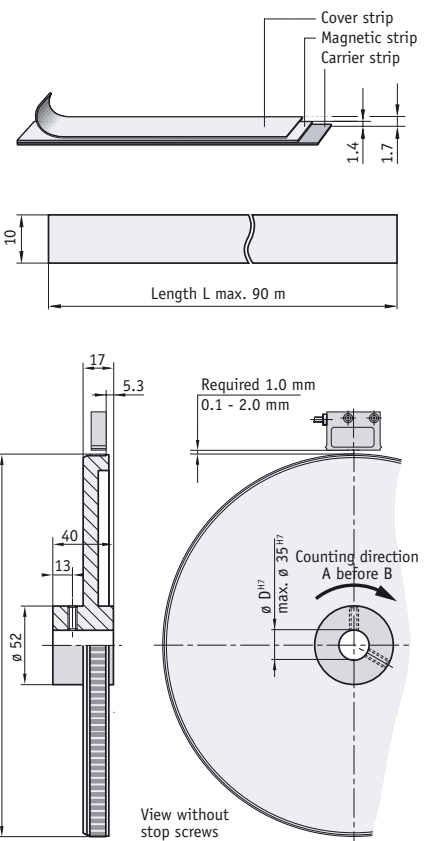
Magnetic strip MB500, Magnetic ring MR500

Ring or strip serve as the scale for sensing linear or angle data. The magnetic material into which distance and angle information is imprinted is mechanically stably connected to the base.



Features:

- insensitive to dust, shavings, humidity, fluids and oils
- easy hollow shaft assembly (MR500)
- easy glueing assembly (MB500)



Feature	MB500	Technical data	Additional information
Length	...	in steps of 0.1 m, max. 90 m	ordering information = actual measuring length + 0.1 m
Cover strip	AM AO	with without	standard, stainless steel
Distance sensor/magnetic strip		max. 2.0 mm	
Accuracy class		0.1 mm	
Temperature ranges		operating temperature -20 °C ...+70 °C	storage temperature -20 °C ...+70 °C
Mounting type		glued joint	

Feature	MR500	Technical data	Additional information
Pole number	96 64 160	96 poles, distributed to circumference 64 poles, distributed to circumference 160 poles, distributed to circumference others on request	standard diam. approx. 153 mm / c = 0.48 m diam. approx. 102 mm / c = 0.32 m diam. approx. 255 mm / c = 0.80 m
Bore diameter	20	20 ^{H7} others on request	standard max. 20 ^{H7}
Distance sensor/magnetic ring		max. 2.0 mm	
System accuracy		±0.1°	
Flange material		aluminium	
Temperature ranges		operating temperature 0 °C ... +60 °C	storage temperature -20 °C ... +70 °C
Humidity		100 % rH, condensation permitted	

Your ordering data: MB500 - - - - - or ...

MR500 - - - MNG -



SIKO GmbH
Weihermattenweg 2
79256 Buchenbach
Germany

Telephone
+49 7661 394-0
Telefax
+49 7661 394-388

eMail
info@siko.de
Internet
www.siko.de

Looking for a dealer near
to you?

You can find the complete
addresses of all SIKO product
representatives in the support
section of our website:

www.siko.de

SIKO Products Inc.
P.O. Box 279
Dexter, MI 48130
USA

Telephone
+1 734 4263476
Telefax
+1 734 4263453

eMail
sales@sikoproducts.com
Internet
www.sikoproducts.com

SIKO Ltd.
Unit 6, Dalton Lane
Codbeck Estate, Dalton
Thirsk, North Yorkshire
YO7 3HR
United Kingdom

Telephone
+44 1845 578845
Telefax
+44 1845 577781

eMail
sales@siko-uk.com
Internet
www.siko-uk.com

SIKO Italia S.r.l.
Via Borromeo, 4
I-20017 Rho MI
Italy

Telephone
+39 02 93906329
Telefax
+39 02 93469532

eMail
info@siko-italia.com
Internet
www.siko-italia.com

**SIKO Mess- und
Positioniersysteme
GmbH**
Deisrütistrasse 11
8472 Seuzach
Switzerland

Telephone
+41 52 317 46 41
Telefax
+41 52 317 46 42

eMail
info@siko-schweiz.ch
Internet
www.siko-schweiz.ch

**SIKO International
Trading (Shanghai)
Co. Ltd.**
Unit A, 26th Floor New
Rainbow Jie Yun Bldg.,
2 Lane 600, Tian Shan
Road, Shanghai/
China 200051

Telephone
+86 21 62 59 47 45
Telefax
+86 21 32 11 04 20

eMail
info@siko.cn
Internet
www.siko.cn