

# New Innovation

## DigiTurn – double function will meet with

Turn the knob, read the value: Control knob with integrated measuring system  
customer approval – in a jiffy

It's the benefits of the simple and insignificant details you won't want to miss after a short period of use. The DigiTurn product family from SIKO belongs to this category.

The advantages are obvious: Turn the button and read the value – the slightest deflection is shown on the mechanical display incorporated in the DigiTurn. With external dimensions of only 36 mm, this integrated solution requires a minimum of installation and expenditure, as the additional installation of a hand-wheel is no longer required.

**The installation procedure is as easy as you can imagine: insert, adjust – ready for application.**

Only one small bore at the machine side for the torque pickup is required. The proven SIKO Gear technology permits installation in every position. The integration of DigiTurn will meet with customer approval and is as simple as it sounds. Use these advantages.

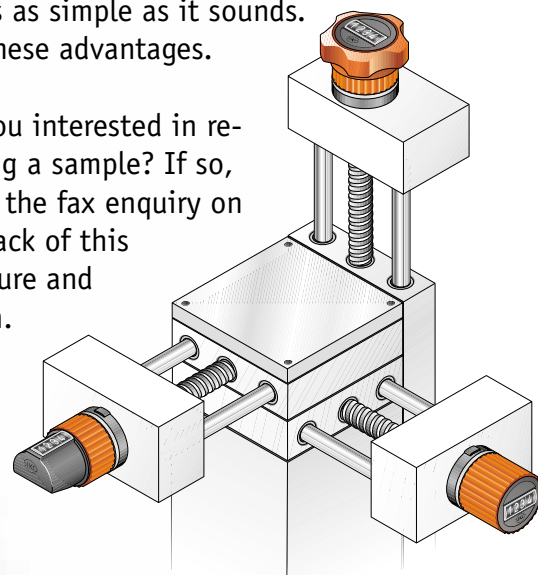
Are you interested in receiving a sample? If so, fill in the fax enquiry on the back of this brochure and return.

### Features:

- digital display of the shaft position (absolute)
- corresponding display values are available for all commercially-available thread pitches, in addition many user-specific values are possible
- simple operation and installation
- can be installed in the required position
- robust form and surface (high solvent-resistance ...)
- range of application: indexing tables, wood and metal plate processing machines, printing presses, dosing plants ...
- two basic types: DK01 with frontal value display and DK02 with lateral display

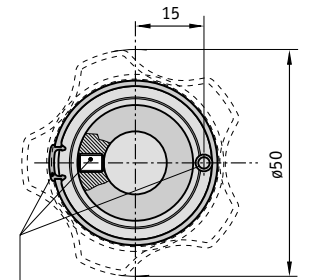
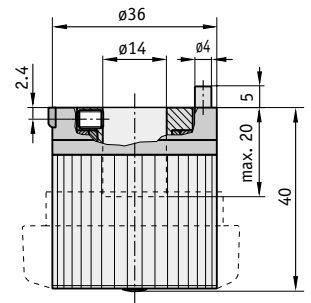
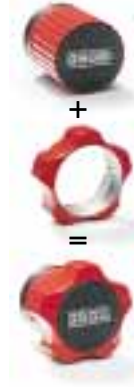
### Option:

- ergonomical star knob



# DigiTurn DK01

The control knob and digital position indicator are incorporated in a compact adjustment unit. The DigiTurn can be universally applied due to the minimum expenditure and space requirement.



Lid, Grub Screw M4,  
Torque Pin  
aligned to display „0“

## Features:

- Control knob with integrated position indicator
- Various display values
- Display at the front

## Option:

- Star knob
- Special display ratios

Feature	Ordering data	Technical data	Additional information
Display after 1 revolution	e.g 15 <b>A</b>	12/5*; 15; 17/5*; 20; 25; 30; 40; 50; 100	
Comma position	0 or 1,2,3 <b>B</b>	e.g. 1 = 0.0 or 2 = 0.00	
Counting direction	I E <b>C</b>	clockwise increasing counter-clockwise increasing	
Hollow shaft bore	14 RH12 RH10 RH8 <b>D</b>	ø 14 <sup>H7</sup> reducing sleeve on ø 12 <sup>H7</sup> reducing sleeve on ø 10 <sup>H7</sup> reducing sleeve on ø 8 <sup>H7</sup>	standard
Handwheel form	RA ST <b>E</b>	knurled handle star knob	standard
Handwheel colour	FR <b>F</b>	fire red RAL3000	
Counter		4 decades, fine reading	digit size appr. 6 mm
Housing		plastic	
Weight		0.06 kg	
Ambient temperature		max. 80 °C	

\* The numbers following the slash „/“ are analytical values, which will not be displayed.

Your ordering data:  -  -  -  -  -  -

# DigiTurn DK02

The control knob and digital position indicator are incorporated in a compact adjustment unit. The DigiTurn can be universally applied due to the minimum expenditure and space requirement.

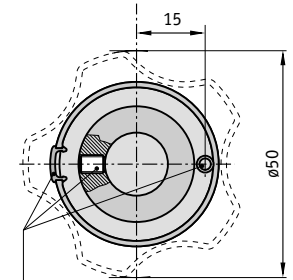
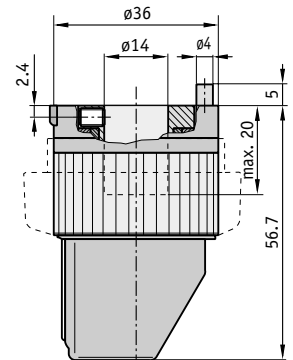
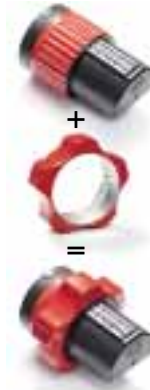


## Features:

- Control knob with integrated position indicator
- Various display values
- Lateral display

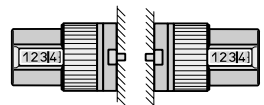
## Option:

- Star knob
- Special display ratios



Lid, Grub Screw M4,  
Torque Pin  
aligned to display „0“

Version 08    Version 09



Feature	Ordering data	Technical data	Additional information
Version	08 09	A	
Display after 1 revolution	e.g 15	B 12/5*; 15; 17/5*; 20; 25; 30; 40; 50; 100	
Comma position	0 or 1,2,3	C e.g. 1 = 0.0 or 2 = 0.00	
Counting direction	I E	D clockwise increasing counter-clockwise increasing	
Hollow shaft bore	14 RH12 RH10 RH8	E $\varnothing 14^{H7}$ reducing sleeve on $\varnothing 12^{H7}$ reducing sleeve on $\varnothing 10^{H7}$ reducing sleeve on $\varnothing 8^{H7}$	standard
Handwheel form	RA ST	F knurled handle star knob	standard
Handwheel colour	FR	G fire red RAL3000	
Counter		4 decades, fine reading	digit size appr. 6 mm
Housing		plastic	
Weight		0.06 kg	
Ambient temperature		max. 80 °C	

\* The numbers following the slash „/“ are analytical values, which will not be displayed.

Your ordering data:  -  -  -  -  -  -  -

# Position Indicator DK03

Compact adjusting device consisting of control knob with integral analog position indicator. Easy mounting and little required space make DK03 universally applicable.



SIKO GmbH  
Dr.-Ing. G. Wandres

Address  
Weihermattenweg 2  
79256 Buchenbach

Telephone  
+49 7661 394-0

Fax  
+49 7661 394-388

E-Mail  
info@siko.de  
Internet  
www.siko.de



+



=



**Features:**

- control knob with integrated analog position indicator
- various ratios available
- various mounting positions

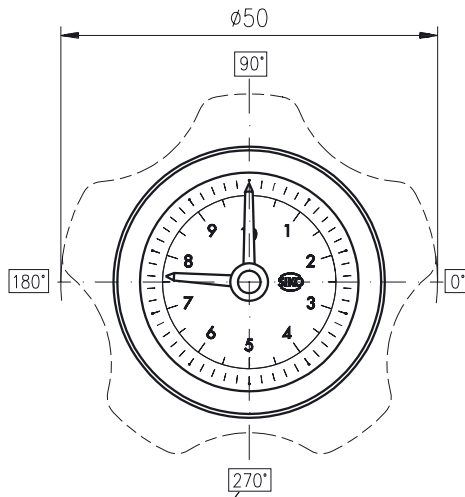
**Options:**

- star knob
- special ratios

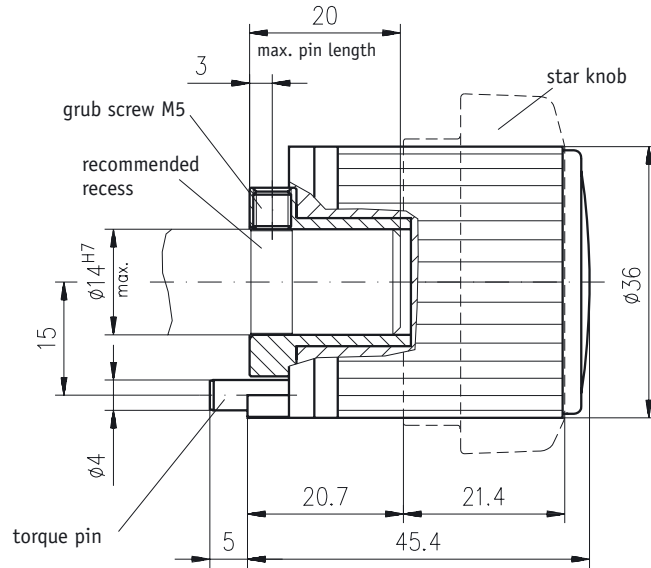
Feature	Order Text	Additional information
Gear ratio	... 2; 3; 6; 10; 12; 15; 18; 20; 24; 30; 36; 48	others on request
Counting direction	i B clockwise increasing	
	e counter-clockwise increasing	
Pointer	1 C geared red pointer	
	2 geared red pointer + 1:1 black pointer	
Scale	N.. D normal scale	standard, related to the gear ratio
	VK.. special scale	customer-specified
Multicolor scale	C1 E 1-color	standard
	C2 2-color	
	C3 3-color	
Hollow shaft/diameter	14 F standard; $\varnothing 14^{H7}$	
	RH8 reducing sleeve	$\varnothing 8^{H7}$
	RH10 reducing sleeve	$\varnothing 10^{H7}$
	RH12 reducing sleeve	$\varnothing 12^{H7}$
Torque pin/position	270 G	standard
Handwheel form	RA H knurled handle	standard
	ST star knob	
Handwheel color	FR I fire red RAL 3000	

Your ordering:  -  -  -  -  -  -  -  -

# Position Indicator DK03



Grub screw and torque pin position adjusted to show "0" in the display.



### Technical data

Housing	plastic
Weight	0.07kg
Ambient temperature	max. 80°C

### Additional information

## Fax inquiry

For immediate information

(734) 426-3453



To receive more information on the new SIKO products, simply mark the appropriate item(s) below, enter your address and fax this page to us.

- Technical advice on DK01 and DK02
- Visit of a SIKO sales representative
- Price information
- Catalog with brochures on the complete SIKO product range
- Sample

Name

Company

Department / Function

Street

Zip Code / City

Phone

Fax

eMail



**SIKO Products**  
2155 Bishop Circle  
P.O. BOX 279  
Dexter, MI 48130

**Telephone**  
**1-800-447-7456**  
(734) 4 26 - 34 76  
**Telefax**  
(734) 4 26 - 34 53

**Email**  
sales@sikoproducts.com  
**Internet**  
www.sikoproducts.com