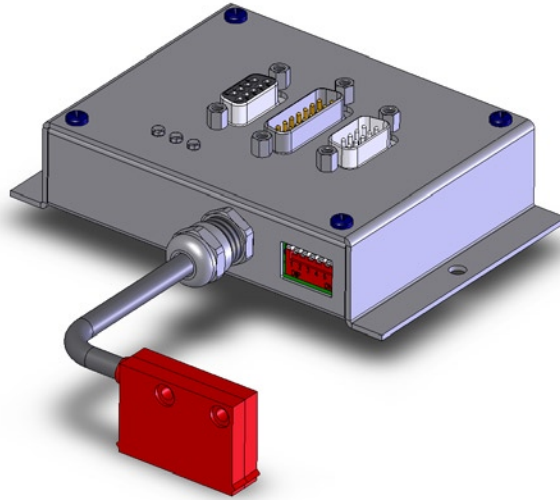


Evaluation electronics ASA510H - hybrid



Merkmale:

- Absolute measuring unit with permanently connected sensor
- Accuracy class 0.05mm, max. Resolution 0.001mm
- Interface SSI or RS485
- Scale MB500
- Gap sensor/magnetic strip max. 2.0mm
- max. measurement length ±655m
- Maintenance-free backup battery
- optional digital interface: quadrature signal A / B
- optional analog interface: 1V_{ss} / 2.3V_{ss}

SIKO GmbH

Address

Weiherrmattenweg 2
79256 Buchenbach

Telephone

+49 7661 394-0

Fax

+49 7661 394-388

eMail

info@siko.de

Internet

www.siko.de

Merkmale	Bestelltext	Ergänzung
Sensor type	A Typ A, PVC	Standard, Farbe rot
	AM Typ AM, Zinkdruckguss	
Cable Length L (in m)	1.0 B max. 6m	Standard
	...	
Interface digital	0 C Ohne	Standard
	LD Line Driver (RS422)	
	PP Push-Pull	
Resolution digital (in µm)	5 D	Standard
	1	
	10	
	12,5	
Pulsabstand (in µs)	1 E	Standard
	0,2	
	0,5	
	2,5	
	4,0	
Interface analog	0 F Ohne	Standard
	1V _{ss}	
	2,3V _{ss}	

Your ordering: - - - - - -

Evaluation electronics ASA510H - hybrid

Connector X1

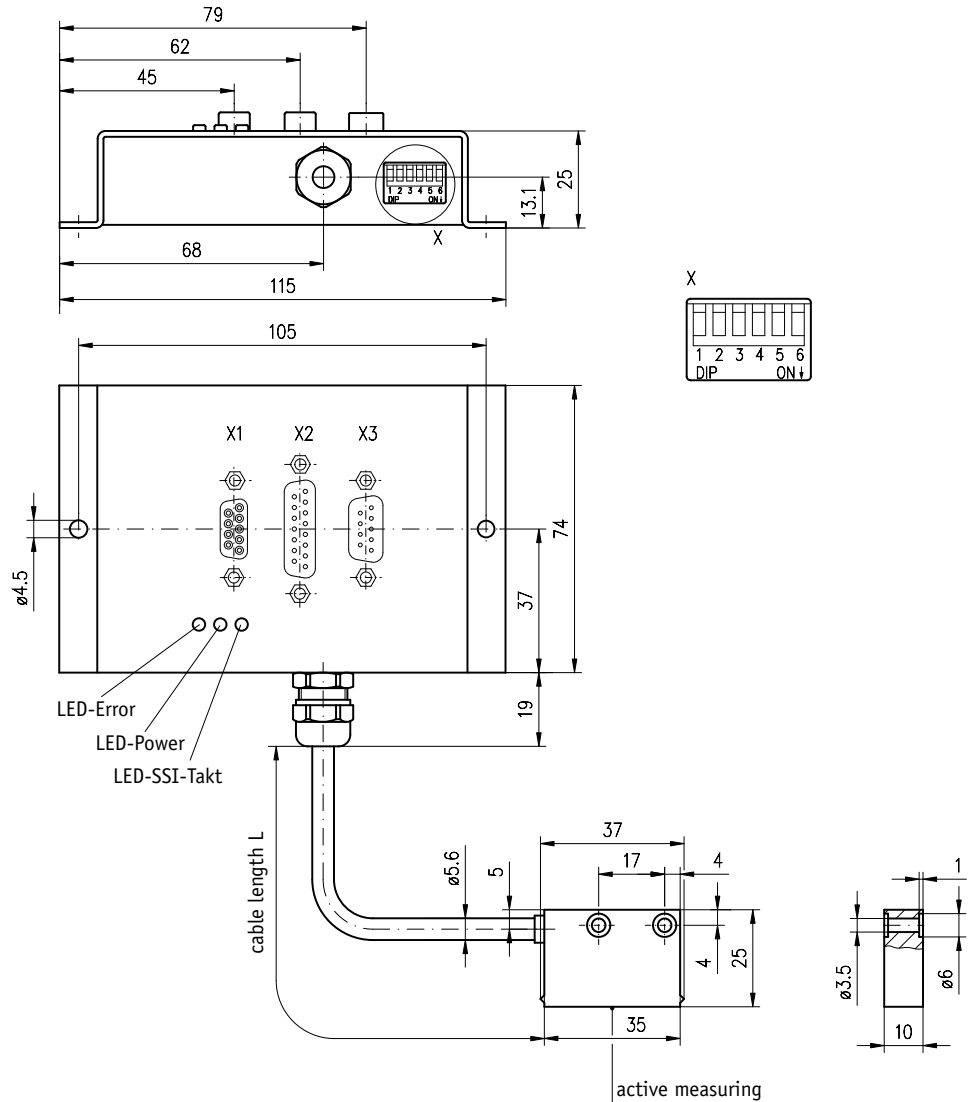
Pin	Signal
1	Sin
2	/Sin
3	Cos
4	---
5	---
6	---
7	GND
8	/Cos
9	---

Connector X2

Pin	Signal
1	---
2	---
3	---
4	SSI_DATA / DÜA
5	/SSI_DATA / DÜB
6	---
7	---
8	GND
9	---
10	---
11	---
12	---
13	---
14	SSI_CLK
15	/SSI_CLK

Connector X3

Pin	Signal
1	A
2	B
3	---
4	+24VDC
5	GND
6	/A
7	/B
8	---
9	---



Technical Data

Power Supply	20-30VDC
Power consumption	< 300mA
Resolution	10µm
System accuracy	±(0.025+0.01xL)mm [L in m]
System accuracy	±1 increment
Travel speed of the magnetic sensor	max. 5m/s
Gap sensor/magnetic strip	0.1 ... 2.0mm
Type of connection	X1 (9-pole D-Sub-Male) X2 (15-pole D-Sub-Female) X3 (9-pole D-Sub-Female)
Cable length of connecting lead	max. 6m
Cable sheath sensor	PUR suitable for drag-chain applications
Housing translation modul	sheet steel
Interference protection class	3
Temperature	0°C ... +60°C -20°C ... +70°C
Humidity translation modul	max. 95% rF
Humidity sensor	max.100% rF
Protection translation modul	IP20
Protection sensor	IP67
Certification	CE
Backup battery	lifetime 10 years
Weight	approx. 200g

Additional information

with polarity protection
Fix SSI
at T _U = 20°C; [L = lenght per started metre]
over total measuring lenght
analog signal
SSI signal / RS485 signal
quadrature signal
according to RS422 spezifikation
electro-galvanised
according to IEC 801
Working temperature
Storage temperature
condensation not permissible
condensation permissible
according to DIN VDE 0470
according to DIN 40050
at T _U = 20°C; according to cusomer specification

Accessory

79179	ferrit sleeve	for cable-ø 4.5 ... 6mm
71364 + 71365	Mating connector X1	9-pole D-Sub-Male + hood
73947 + 73946	Mating connector X2	15-pole D-Sub-Female + hood
71366 + 71365	Mating connector X3	9-pole D-Sub-Female + hood