

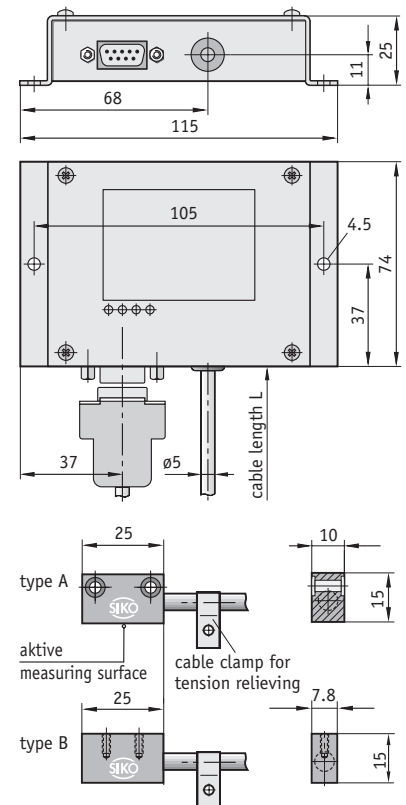
Translation module AS500

High-resolution electronics with permanently attached magnetic sensor. The AS500 delivers digital square signals with a resolution of up to 5 μm after 4x processing by the follower electronics.



Features:

- complete unit with sensor
- resolutions up to 5 μm (digital)
- real-time data processing
- Magnetic strips MB and MB5
- system accuracy up to 50 μm



Feature	Ordering data	Technical data	Additional information
Supply voltage	4	24 V DC $\pm 20\%$	standard
	5	5 V DC $\pm 5\%$	
Power consumption		< 120 mA	with polarity protection
Sensor type	A	type A, aluminium anodized	colour red
	B	type B, aluminium anodized	colour green
Cable length	...	in meter, in steps of 1.0 m	standard 2.0 m (max. 20 m)
Cable jacket	PVC		standard
	PUR	oil-resistant	
Output circuit	LD	line driver	standard (according to RS422 A)
Resolution	0.005 / 0.01 / 0.025 / 0.05	internally switchable	with 4x pulse multiplication (programmable), 0.005 mm standard
Output signals		square A, B, index (each 5 mm)	each inverted
Connection type		D-SUB 9-pin	
Housing		sheet steel	electrolytically galvanized
Interference protection class		3	according to IEC 801
Travel speed		max. 5 m/s (of the magnetic sensor)	
Gap strip / sensor		max 2.0 mm	over whole measuring range
System accuracy		$\pm (0.05 + 0.01 \times L) \mu\text{m}$ [L in m]	at $T_U = 20^\circ\text{C}$; [L = length per started meter]
Repeat accuracy		± 1 increment	
Temperature range		working temperature 0 ... $+60^\circ\text{C}$	storage temperature $-20 \dots +70^\circ\text{C}$
Humidity		max. 95 % rF	condensation not permitted
Protection class		IP 40 according to DIN VDE 0470	test mark CE
Weight		appr. 400 g	total weight

Ordering example: AS500 - 4 - A - 2.0 - PVC - LD - 0.005 operating voltage 24 V DC; sensor A with 2 m PVC cable; line driver, resolution 1 μm

Your ordering data: AS500 - - - - - - - Please supply standard version (cross, when YES)