

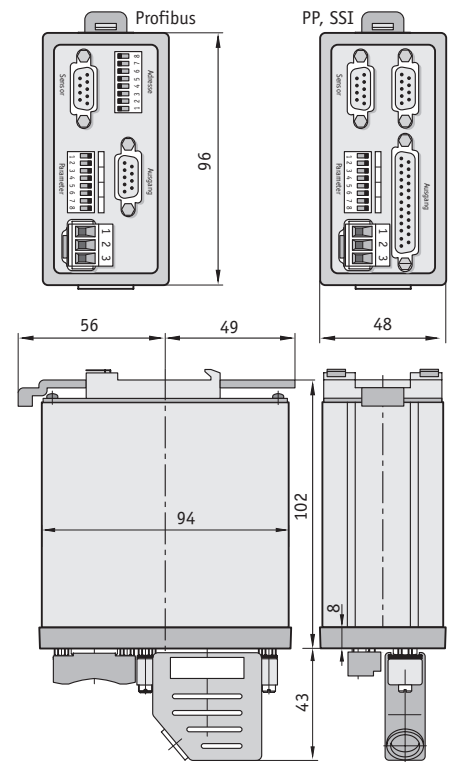
Translation Module **AEA**

This high-resolution translation module converts the measuring values captured by the sensor into serial or parallel data (similar to data issued by an absolute rotary/angle encoder). This data can then be processed by any standard follower electronic (eg. by a control unit).



Features:

- snap-in module for easy mounting
- all connections are plugable
- SSI, PP parallel, Profibus
- parameter programming via DIP-switches
- LED for status messages
- option: interface RS232 or RS485
- possibility for external bus connection (eg. CAN, Interbus-S)



Feature	Ordering data	Technical data	Additional information
Output	PP	parallel, standard	PP-level: $U_L \leq 1\text{ V}$; $U_H \geq U_B - 20\text{ V}$ at 15 mA; I_{max} per channel 20 mA clock rate: 100 kHz to 500 kHz encoder profile class 1
	SSI	synchronous serial interface	
	PB	Profibus	
Supply voltage	4	24 V DC $\pm 20\%$	standard
Power consumption		< 5 W	without output
Interfaces	XX/XX	without	standard
	S1/00	RS232/standard	option
	S3/00	RS485/standard	option
Sensor connection	MSA	for sensor type MSA	standard
	LSA200	for sensor type LSA200	
Resolution		mm 0.01 / 0.1 / 1 / 10	inch 0.001 / 0.01 / 0.1 / 1
Repeat accuracy		0.01 mm	
System accuracy		$\pm (0.1 + 0.03 \times L)\text{mm}$ [L in m]	at $T_U = 20\text{ }^\circ\text{C}$
Front plate		DIP switches	LED for status control
Outputs		PP parallel, SSI, Profibus	
Clock frequency SSI		62.5 kHz ... 500 kHz	
Monoflop time SSI		16 μs	
Internal cycle time		$\leq 1\text{ ms}$	
Parameters		programmable	via DIP switches or interface
Electrical connection		9- and 25-pin D-SUB	supply: terminal strip
Interference protection class		3, accord. to IEC 801	
Test mark		CE	
Temperature ranges		working temperature: 0 ... +60 $^\circ\text{C}$	storage temperature: -20 ... +80 $^\circ\text{C}$
Protection class		IP 20 accord. to DIN 40050	
Housing		aluminium	snap-in module for mounting on top hat rails
Weight		approx. 350 g	

Ordering example: **AEA** - **PP** - **4** - **XX/XX** - **MSA** PP output; supply voltage 24 VDC; without interface; sensor connection MSA

Your ordering data: - - - - Please supply standard version (cross when YES)