

# Wire-Actuated Encoder SG32



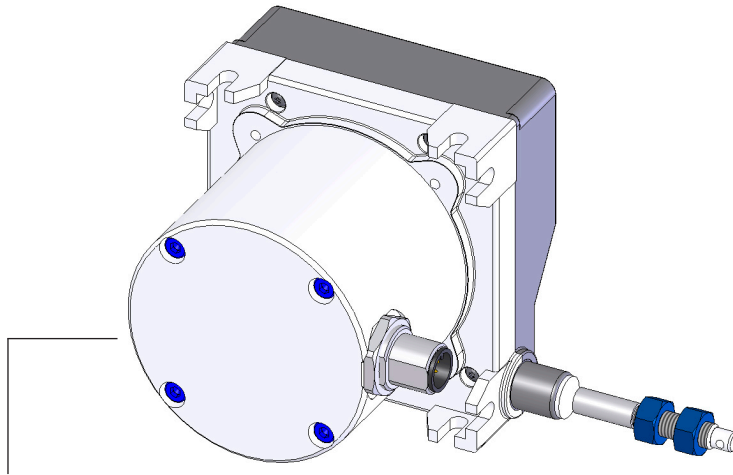
**SIKO GmbH**

**Address**  
 Weihermattenweg 2  
 79256 Buchenbach

**Telephone**  
 +49 7661 394-0

**Fax**  
 +49 7661 394-388

**eMail**  
 info@siko.de  
**Internet**  
 www.siko.de



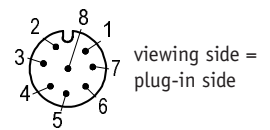
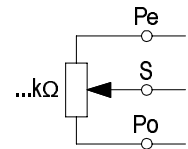
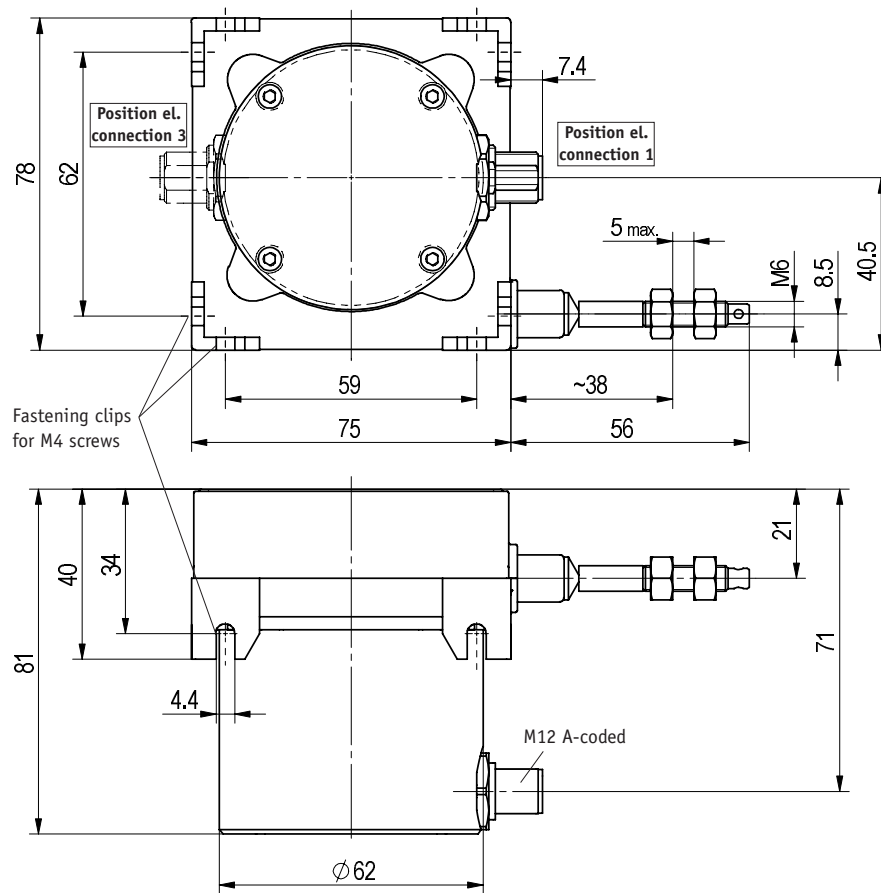
**Features:**

- measurement length up to 3000mm
- analog, redundant signal output (twin potentiometer)
- variable mounting options
- robust design
- very solid wire (stainless steel)
- M12 connector
- closable aeration hole for avoiding condensation
- high density on the wire output

Feature	Order Text	Additional information
Measuring range (mm)	2000	
	2500	
	3000	
Encoder type	P10/10	2x potentiometer with 10kΩ
Position of electrical connection	1	0°
	3	180°
Series impedance	0	0 Ohm
	1k2	1,2 kOhm

Your ordering:  -  -  -  -

# Wire-Actuated Encoder SG32



Pin connection

Pin	Signal Potentiometer 1	Signal Potentiometer 2
1	Po	---
2	---	Po
3	---	S
4	---	Pe
5	---	---
6	Pe	---
7	S	---
8	---	---

## Technical data

Extension force	min. 3N
Power supply	≤ 30V
Working temperature	-40° ... +80°C
Condensation	not permitted
Travel speed	max. 800mm/s
Repeat accuracy (direction dependent)	± 0,15mm
Absolute accuracy	± 0,35%
Housing	zinc dye casting / plastic
Wire type	stainless steel wire (Nirosta) plastic-coated
Encoder type of protection	IP65 according to DIN VDE 04070
Test sign/interference protection class	CE
Weight	ca. 0,5kg

## Additional information

potentiometer's dissipation loss < 1W

corresponding to measuring range (mm)

## Electrical data potentiometer:

Resistance tolerance	± 5%
Linearity tolerance	± 0,25%
Load capacity	1W at 70°C
Standard residual end point resistance deviation	0,5% oder 1Ω

(whichever value is higher)

## Accessory

83525	Mating connector
75250	Extension wire
75367	Guide roller

8 pins; female connector M12 A-coded