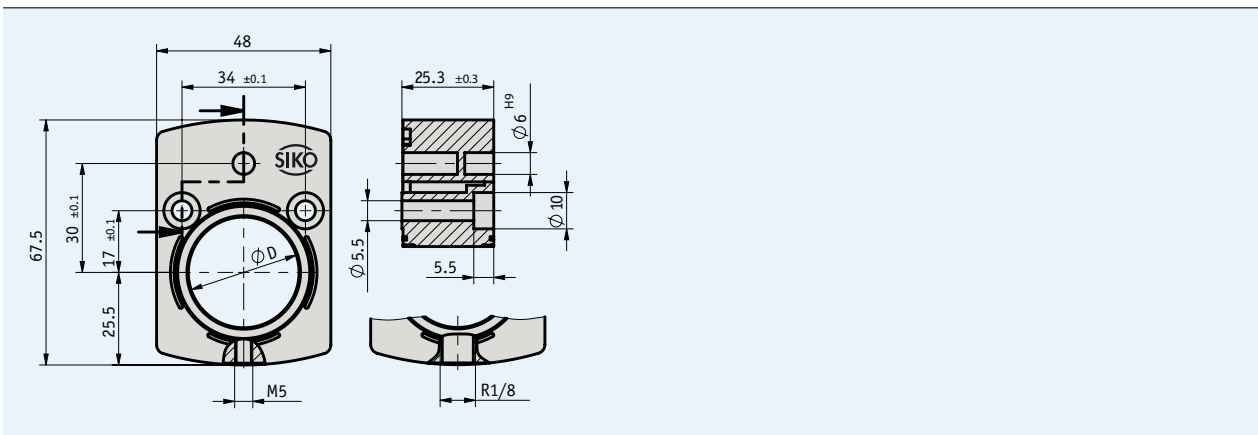


**Profile**

- Pneumatic clamping plate for shaft clamping
- Selectable size of compressed air connection
- Easy mounting and retrofitting



**Mechanical data**

Feature	Technical data	Additional information
Housing	zinc die-casting	
Weight	~0.25 kg	

**Order**

■ **Order table**

Feature	Order text	Specification	Additional information
Compressed air connection	M5	M5 screw thread	
	R1/8	R1/8 screw thread	
Bore diameter	30		
	...	others on request	with reduction sleeve

■ **Order Code**

KP09P -  -