

LinearLine | New wire-actuated encoders for greater flexibility and safety



New technologies for challenging requirements in linear measurement technology

Based on decades of experience, SIKO's compact wire-actuated encoders are a reliable, easily-installed solution for measuring linear position. They are suitable for use in a wide range of industrial applications, even under adverse environmental conditions.



SIKO is expanding its application-proven program of wire-actuated encoders with new versions which redefine the limits as far as flexibility and safety are concerned. Temperature ranges up to $-40\text{ }^{\circ}\text{C}$ and a construction designed for wet and dirty conditions result in high protection classes, fail-safe reliability and a long, maintenance-free service life. An excellent price-performance ratio completes the offer.



Variants with virtually free adaptation of rotary encoders offer unique flexibility for integration in diverse control concepts. The SG32 and SG42 wire-actuated encoders provide increased safety thanks

to the redundant sensor, which monitors the drum movement. This ensures a higher degree of protection e.g. for people working on lifting platforms.

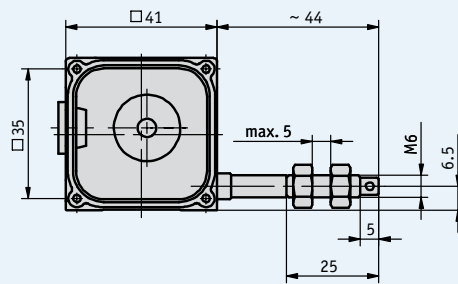
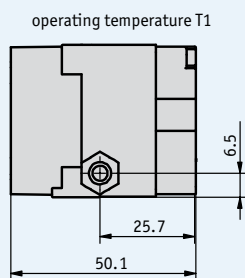
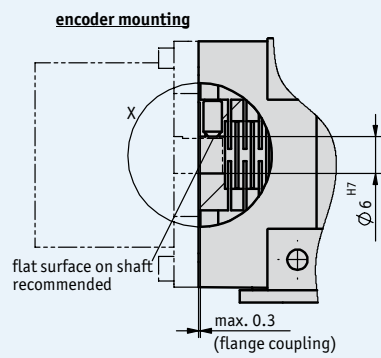
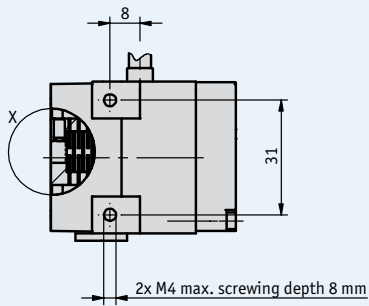
Benefits

- Temperature range up to $-40\text{ }^{\circ}\text{C}$
- Robust design for use even in wet and dirty conditions
- Easy wire installation
- Flexible system integration of freely defined output signals and interfaces
- High safety due to redundant sensor



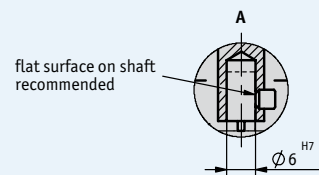
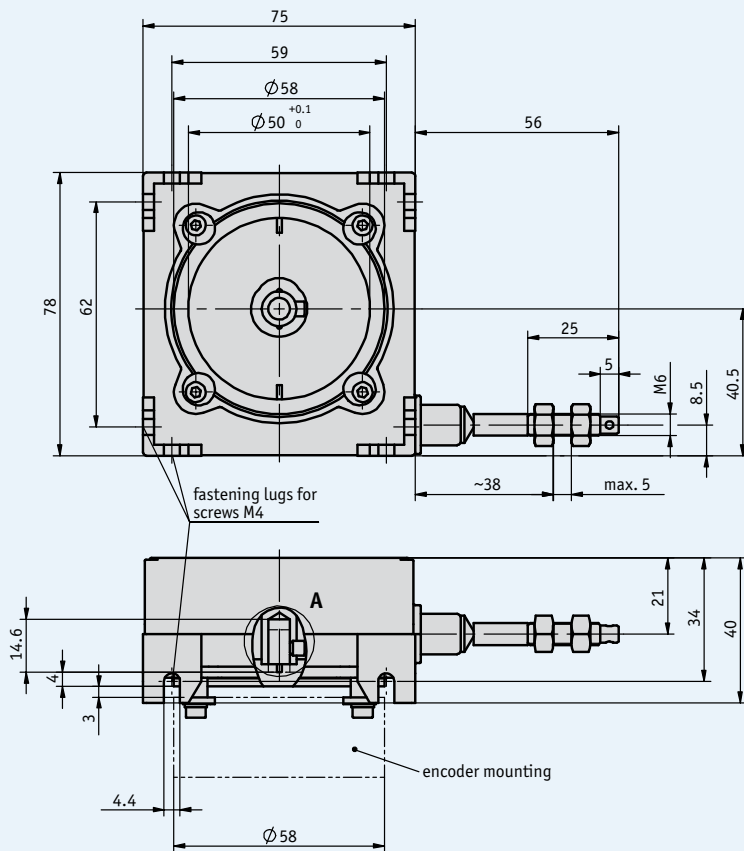
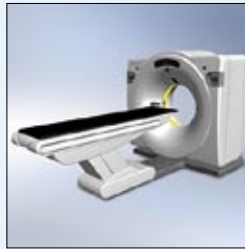
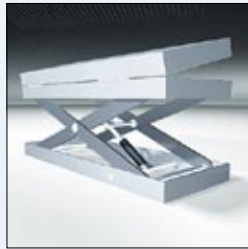
Profile SG21

- Compact, robust zinc die-cast housing
- Measurement lengths up to 2000 mm
- Adaptation of any rotary encoder with max. 36 mm flange diameter
- Encoder can be mounted by user
- Easy mounting
- Optional: temperature range up to $-40\text{ }^{\circ}\text{C}$



Profile SG31

- Compact, robust zinc die-cast housing with spring housing
- Variable mounting possibilities
- Measurement lengths up to 3000 mm
- Adaptation of any rotary encoder with 58 mm flange diameter
- Encoder can be mounted by the user
- Closable ventilation holes to avoid condensation
- Temperature range up to $-40\text{ }^{\circ}\text{C}$

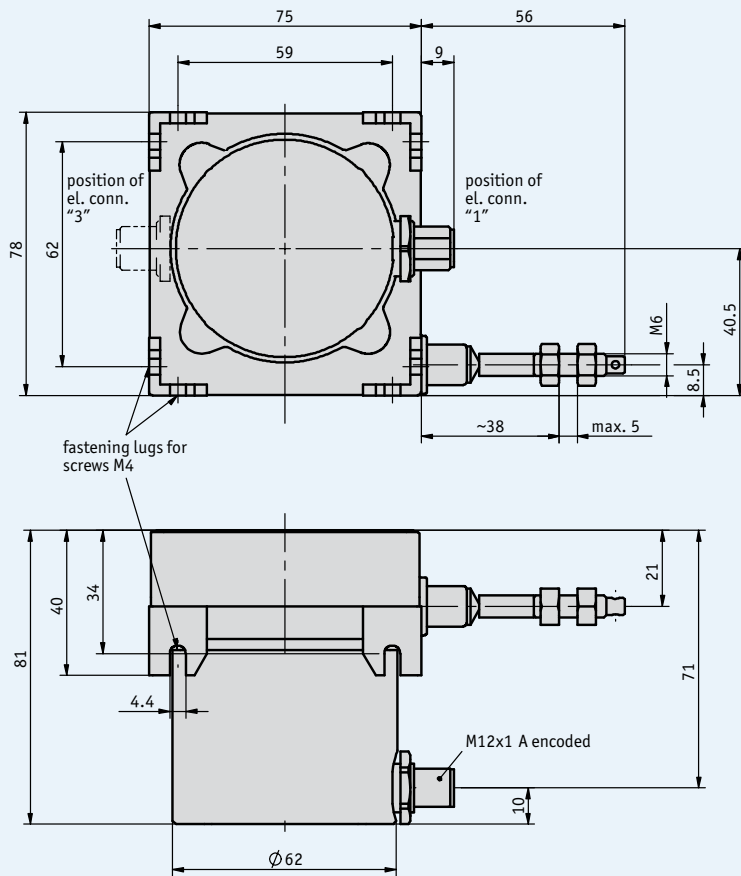


Profile SG32

- Compact, robust zinc die-cast housing
- Variable mounting possibilities
- Measurement lengths up to 3000 mm
- Redundant sensor with analog output
- Closable ventilation holes to avoid condensation
- Temperature range up to $-40\text{ }^{\circ}\text{C}$



No compromises with safety:
The SG32's redundant sensor ensures double protection for both people and process!



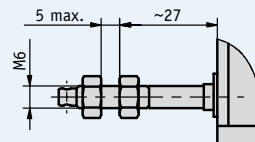
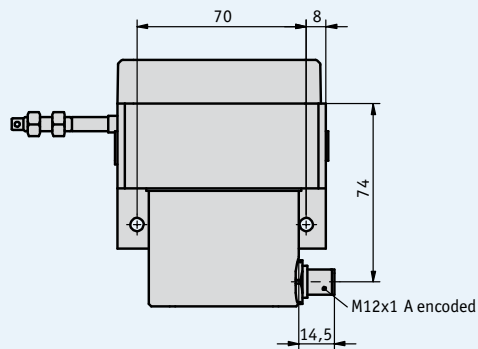
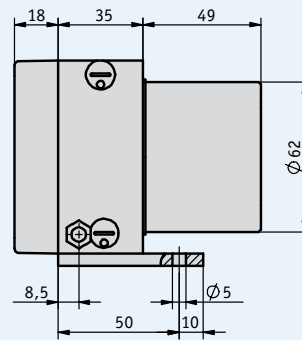
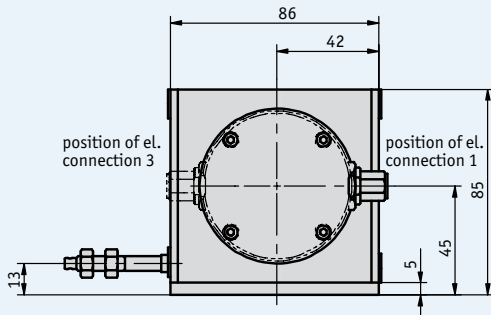
Profile SG42

- Compact, robust aluminum housing
- Measurement lengths up to 4000 mm
- Redundant sensor with analog output
- Closable ventilation holes to avoid condensation
- Easy, flexible mounting
- Temperature range up to $-40\text{ }^{\circ}\text{C}$



No compromises with safety:

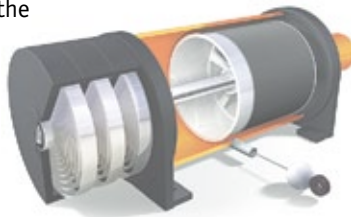
The SG42's redundant sensor provides double protection for both people and process!



This is how the technology works:

A single layer of measurement wire is wound onto an internal drum. When the wire is pulled out, it causes the drum to rotate proportional to the linear measurement movement. The integrated spring assembly winds the wire back onto the drum. A sensor connected directly to the drum axle records the drum rotation and generates the linear position value as a measurement signal.

Mounting effort is low, as the wire is simply attached to the object to be measured. This means there is no need of additional guiding systems or energy supply chains.



More wire-actuated encoders can be found online at:

<http://www.siko.de/en/produkte/lineartline/wire-actuated-encoder/>



SIKO GmbH
Weihermattenweg 2
D-79256 Buchenbach

Telephone
+49 7661 394-0

Telefax
+49 7661 394-388

E-Mail
info@siko.de

Internet
www.siko.de