

Accessories RotoLine

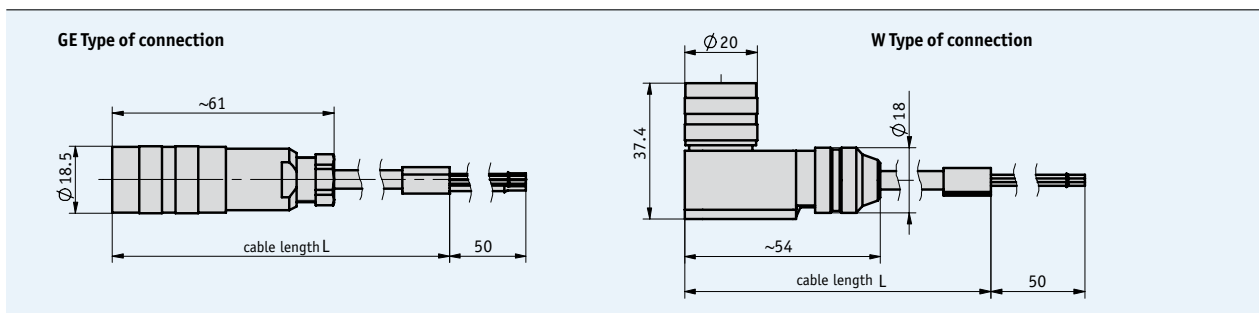
■ **Matrix for cable extension**

Cable extensions are available for a range of RotoLine encoders. The corresponding cable extensions depend on the combination of the interface or output circuits (▶) and the connection type (⊙) of the encoder. Corresponding connection assignments are shown on the data sheets of the cable extensions (refer to matrix).

Magnetic rotary encoders							
		IH28M IV28M/1	IH58M IV58M	IG04M	IG07M	IG09M	WH58M WV58M
	Page	Cable sheath	Product				
Cable extension							
91	PUR	KV07S0	▶ PP ⊙ E6X		▶ PP ⊙ E6X		▶ S3/06 ⊙ E4
92	PUR	KV12S0	▶ OP, LD5, LD24 ⊙ E6X		▶ OP, LD5, LD24 ⊙ E6X	⊙ EX	⊙ E6X
93	PUR	KV12S1		⊙ E2			▶ S6/04, S6/04-K ⊙ E2

Profile

- Ready-to-use cable connection
- Cable lengths up to 20 m



Mechanical data

Feature	Technical data	Additional information
Cable sheath	PUR	
Temperature range	-30 ... +100 °C	

2.4

Pin assignment

KV07S0

Cable color	PIN
white	1
brown	2
green	3
yellow	4

Cable color	PIN
gray	5
pink	6
blue	7

Order

Order table

Feature	Order text	Specification	Additional information
Type of connection	GE	straight connector	
	W	angle plug	not with KV12S1
Cable length	...	1 ... 20 m, in steps of 1 m	

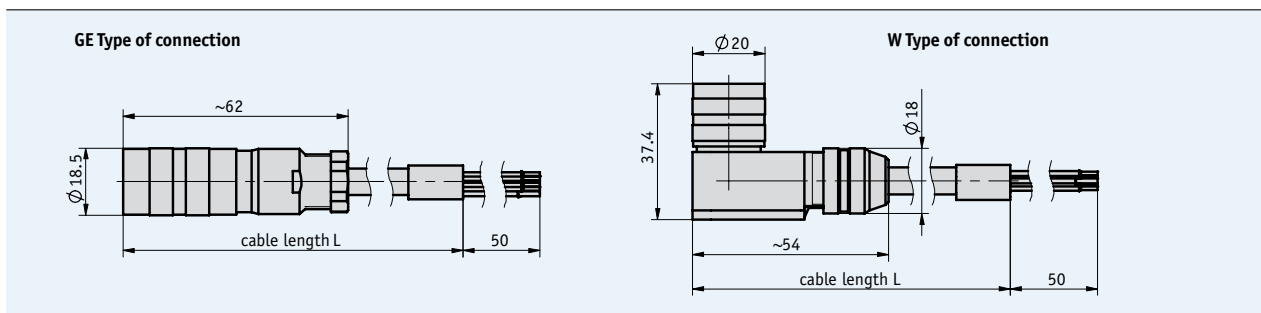
Order code

KV07S0 - -

Scope of delivery: KV07S0, User information

Profile

- Ready-to-use cable connection
- Cable lengths up to 20 m



Mechanical data

Feature	Technical data	Additional information
Cable sheath	PUR	
Temperature range	-30 ... +100 °C	

Pin assignment

KV12S0

Cable color	PIN
blue	A
violet	B
green	C
red	D
yellow	E
pink	F

Cable color	PIN
red-blue	G
white	H
gray-pink	J
gray-pink	K
black	L
brown	M

Order

Order table

Feature	Order text	Specification	Additional information
Type of connection	GE W	A straight connector angle plug	
Cable length	...	B 1 ... 20 m, in steps of 1 m	

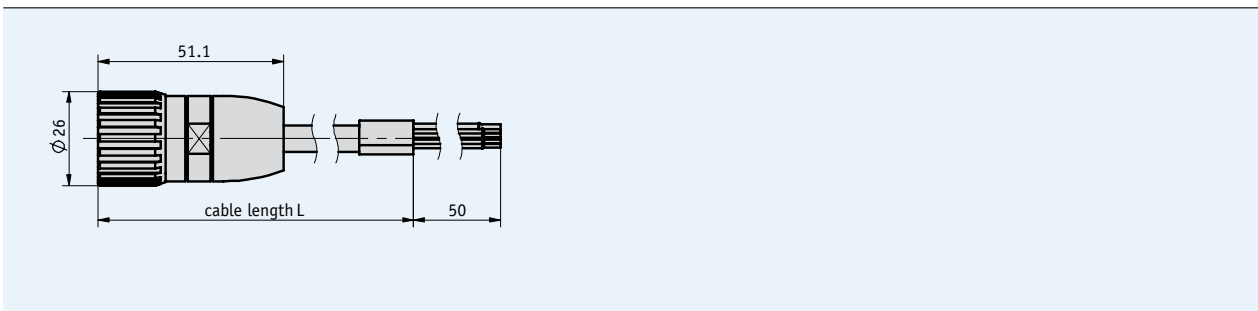
Order code

KV12S0 - -

Scope of delivery: KV12S0, User information

Profile

- Ready-to-use cable connection
- Cable lengths up to 20 m



Mechanical data

Feature	Technical data	Additional information
Cable sheath	PUR	
Temperature range	-30 ... +100 °C	

2.4

Pin assignment

■ KV12S1

Cable color	PIN
blue	1
violet	2
green	3
red	4
yellow	5
pink	6

Cable color	PIN
red-blue	7
white	8
gray-pink	9
gray-pink	10
black	11
brown	12

Order

■ Order table

Feature	Order text	Specification	Additional information
Cable length	...	A 1 ... 20 m, in steps of 1 m	

■ Order code

KV12S1 - GE -

Scope of delivery: KV12S1, User information