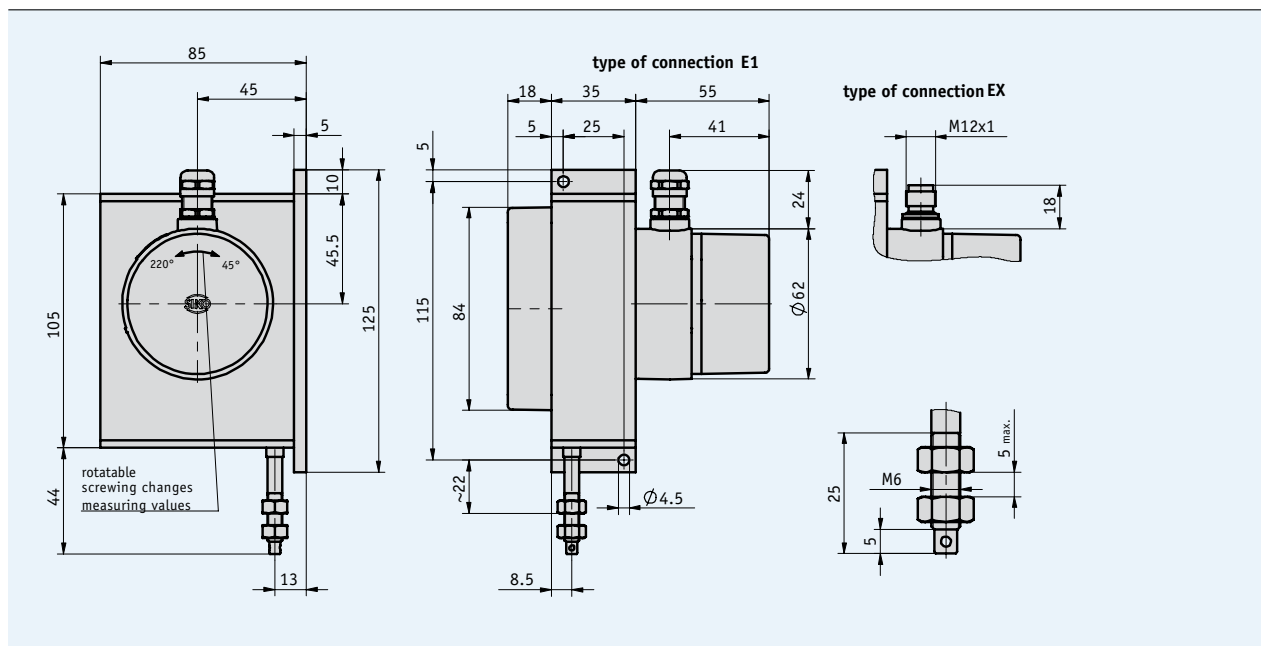


Profile

- Robust design
- Measurement lengths up to max. 6000 mm
- Potentiometer, voltage or power output
- Housing made of aluminum and plastic
- Potentiometer/resistance range adapted to actual measurement length via an integrated gear
- Various wire types



3.1

Mechanical data

Feature	Technical data	Additional information
Travel speed	see table	
Pull-out force required	min. 8 N on the wire	
Drum circumference	200 mm	
Wire design	steel wire Ø 0.54 mm plastic-coated steel wire, Ø 0.87 mm paraline Ø 1.05 mm	
Repeat accuracy	depends on the direction of approach ~0.5 mm	
Protection category	for potentiometer portion: IP53	
Operating temperature	-20 ... +80 °C -40 ... +80 °C	T1 T2 (max. pull-in speed 800 mm/s)
Color	nature anodized	others on request
Weight	approx. 730 g	
Housing	aluminum/plastic	

■ Max. travel speed

Measurement range (mm)	750	1000	1250	1500	1750	2000	2250	2500	2750	3000	3250	3500	... 6000
Max. travel speed (mm/s)	200	300	300	400	490	500	600	700	800	800	900	1000	... 1000

Electrical data

Potentiometric encoder type



Feature	Technical data	Additional information
Value of resistance	1, 2, 5, 10 kΩ	
Pull-out length	0 mm : 0 Ω	

Potentiometer option

Feature	(Type 02)	(Type 03)
Linearity	±0.25 %	±0.25 %
Resistance tolerance	±5 %	±5 %
Power rating	1 W	2 W

MWI encoder type, current source (transducer*)



Feature	Technical data	Additional information
Output current	4 ... 20 mA	
Potentiometer	10 kΩ	
Operating voltage	15 ... 28 V DC	
Load resistance	<500 Ω	

MWU encoder type, voltage source 0 ... 10 V DC (transducer*)



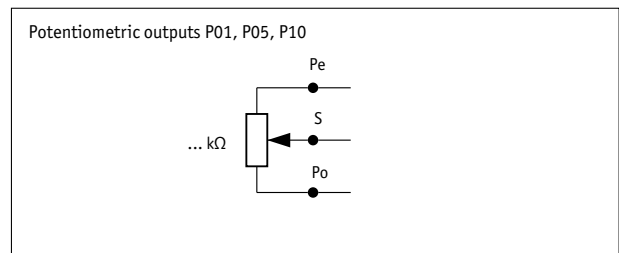
Feature	Technical data	Additional information
Output current	0 ... 10 V DC	
Recomm. load resistance	2 ... 10 kΩ to GND	
Max. load	15 mA	
Operating voltage	15 ... 28 V DC with 3 mA without load	

*Transducers allow optimum adaptation of output current or output voltage to the measurement range. The transducer is preset at delivery to provide an output signal of 4 ... 20 mA (MWI) or 0 ... 10 V DC (MWU) between the starting point and the end point of the measurement range..

Pin assignment

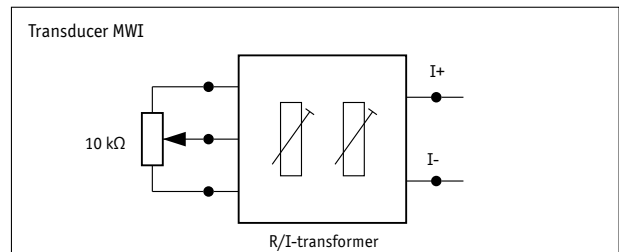
Potentiometric outputs P10

Signal	E1 (terminal)	E12 (plug-in pin)
Po	brown	1
Pe	white	2
S	green	3
N.C.		4



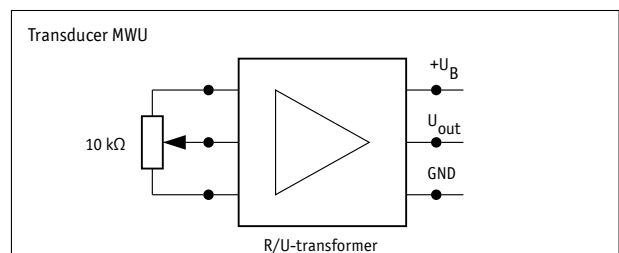
MWI transducer

Signal	E1 (terminal)	E12 (plug-in pin)
I+	1	1
I-	2	2
N.C.	3	3
N.C.		4



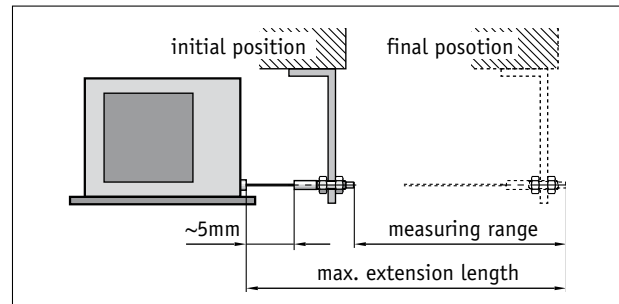
MWU transducer

Signal	E1 (terminal)	E12 (plug-in pin)
+24 V DC	1	1
GND	2	2
U _{out}	3	3
N.C.		4



Mounting note

When you attach the wire, it should be pulled out straight in line with the wire outlet. **Recommendation:** A 5 mm wire extension is recommended before the measurement starting point. This prevents the wire snapping back to the stop on rewinding.



Symbolic representation

Order

Order table

Feature	Order data	Specifications	Additional information
Measurement range (mm)	... A	750 ... 6000	in steps of 250 mm
Wire design	S	stainless steel wire	measurement range max. 6000 mm
	SK	steel wire, plastic-coated	measurement range max. 4000 mm
	P	paraline, non-conducting, signal color	measurement range max. 2800 mm
Type of connection	E1	screwed cable gland PG7	cable Ø 3-6.5 mm
	EX	for M12 connector	
Potentiometer type	O2	10 turns/wire	(P01, P05, P10)
	O3	10 turns/hybrid	(P01, P05, P10)
Analog output	MWI	transducer 4 ... 20 mA	
	MWU	transducer 0 ... 10 V	
	P01	potentiometer 1 kΩ	
	P05	potentiometer 5 kΩ	
Operating temperature	T1	-20 ... +80 °C	max. pull-in speed 800 mm/s
	T2	-40 ... +80 °C	

Order code

SGP/1 - - - - - -

Scope of delivery: SGP/1, User information

Accessories:

Guide roller
Electronic displays MA50 or MA10/4

Page 38
Catalog 6 DisplayLine

Additional information:

General information and areas of application

Page 4 cont.