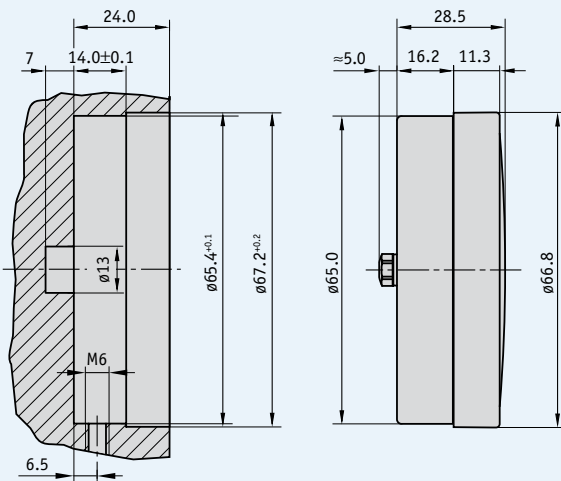


Profile

- Analog position indicator
- Data logging based on the gravity principle
- High stability thanks to doubly supported pointer shaft
- Very robust, glass-fiber enforced plastic housing
- Wide range of gear ratios
- Special scales, also for small numbers of pieces
- Dustproof, oil-filled or waterproof versions



Mechanical data

Feature	Technical data	Additional information
Housing	plastic, reinforced	
Weight of versions N and W	0.1 kg	
Weight of version P	0.2 kg	

Order

Order table

Feature	Order data	Technical data	Additional information
Version	N	dustproof	standard
	P	oil-filled	
	W	waterproof	
Gear ratio	...	1, 2, 3, 6, 10, 12, 15, 18, 20, 24, 30, 36,	
	B	48, 50, 60, 72, 84, 96, 100	
		others on request	
Sense of rotation = ascending values	i	clockwise	
	e	counter-clockwise	
Pointer	1	pointer with gear ratio	and one pointer running 1:1
	2	one pointer with gear ratio	
Scale	N	normal scale	related to gear ratio
	VK	special scale	custom-designed, no VK with first article
Scale imprint	C1	one-color	
	C2	two-color	
	C3	three-color	

Order code

S70/1 - - - - - -

A B C D E F

Scope of delivery: S70/1

Accessories:

Drawing aid for scales

Page 107

Additional information:

General information and areas of application

Page 62 cont.