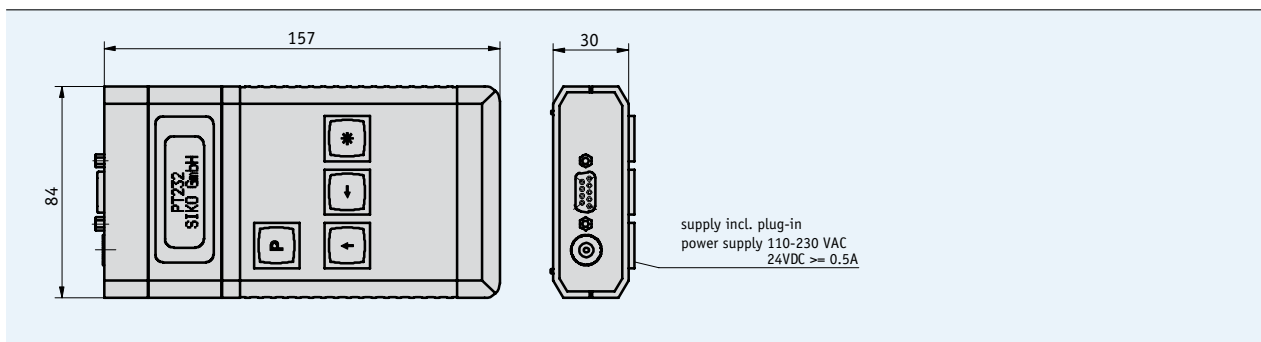


Profile

- 2-line illuminated LC plain text display
- Easy handling thanks to a clear menu structure
- Unambiguous programming and reading of parameters
- Can be connected directly to the appropriate terminal device via KA485 cable adaptor



Mechanical data

Feature	Technical data	Additional information
Supply	24 V DC with inverse-polarity protection	round low-voltage connector (5.5 mm external/2.1 mm internal)
Display	LCD dot matrix, backlit	2x12 characters
Temperature range	0 ... +50 °C	

Pin assignment

Supply

Signal	PIN
+UB	internal
GND	external

D-SUB

Signal	PIN
+UB	1
DÜA	3
GND	5
DÜB	8
	2, 4, 6, 7, 9

Order

Order code

PT485

Scope of delivery: PT485, User information,
Connector power pack 110 ... 230 V AC

Accessories:
Cable adaptor KA485 Page 43

Additional information:
General information and areas of application Page 4 cont.