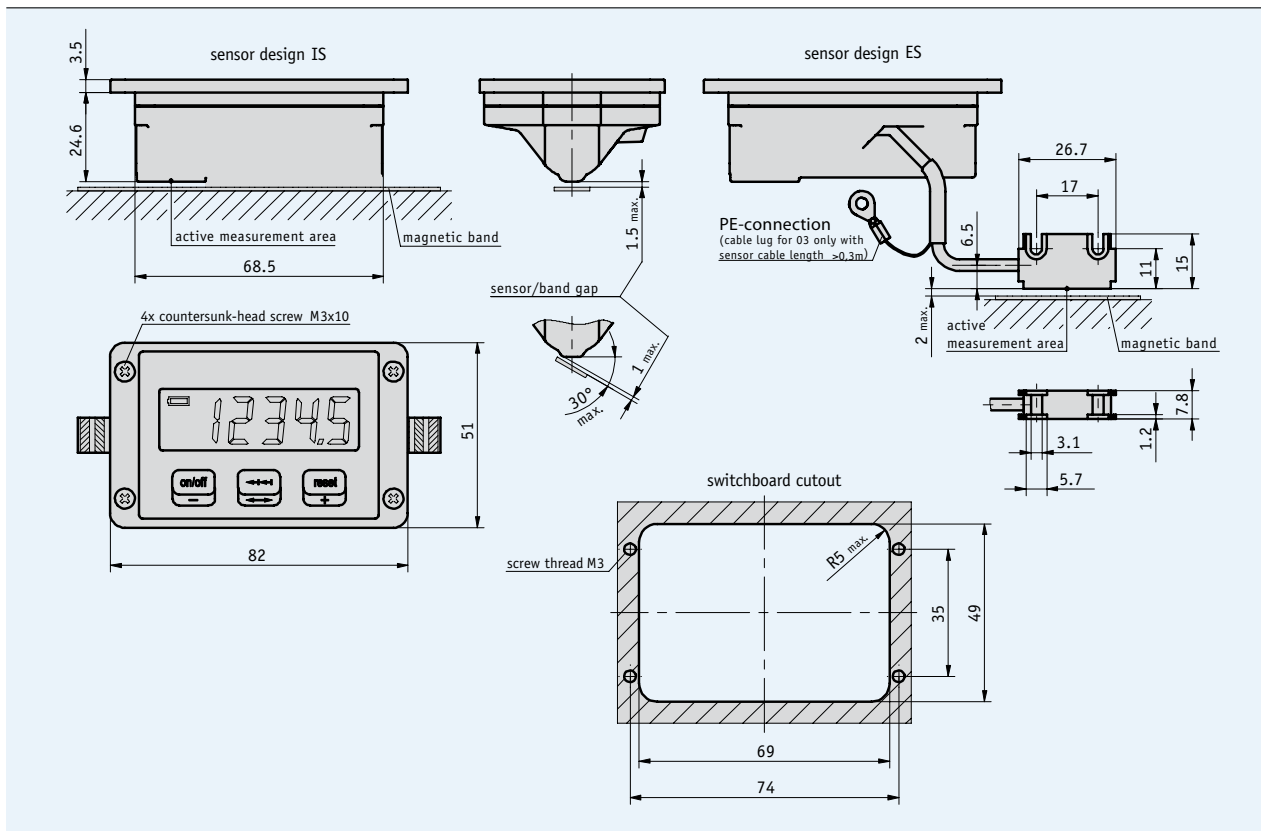


### Profile

- Max. display accuracy 0.1 mm
- Repeat accuracy  $\pm 1$  digit
- Lowest-power LCD with integrated sensor
- Supply via integrated battery with up to 10 years of service life
- Programmable via programming tool PTM



5.2



### Mechanical data

Feature	Technical data	Additional information
System accuracy	$\pm 0.1$ mm	
Repeat accuracy	$\pm 1$ digit	
Magnetic sensor	hard-wired	
Display/display range	-99 999 ... +99 999	
Design	panel-mount housing	
Housing	zinc die-cast	
Protection category	IP20 whole device IP60 display side	
Operating temperature	0 ... +60 °C	
Storage temperature	-20 ... +70 °C	
Humidity	95 % rh	condensation inadmissible

**Electrical data**

Feature	Technical data	Additional information
Interfaces/protocol	interface for PTM (programming tool)	
Resolution	0.1, 1, 1.25, 2, 2.5, 5, 10 mm	
Parameter settings	non-volatily programmable	via external programming tool PTM

**Order**

■ **Order table**

Feature	Order data	Specifications	Additional information
Sensor design	IS	integrated sensor	
	ES	external sensor	
Sensor cable length	... B	0.1 ... 2 m in steps of 0.1 m	only with sensor design ES

■ **Order code**

MA508 - EG - A - L - B - SF-83083

**Scope of delivery:** MA508 with sensor, User information



**Accessories:**  
 Programming device PTM Page 170

**Additional information:**  
 Short Description, Technical Details Page 46 cont.  
 Product Overview Page 4 cont.