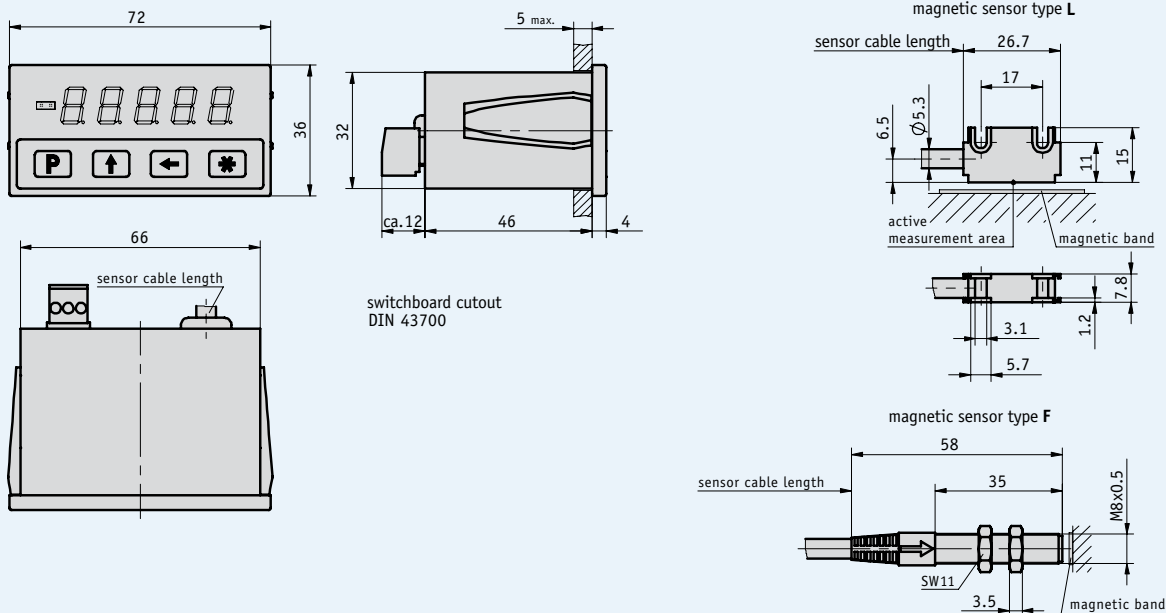


Profile

- Max. display accuracy 10 µm
- Small design
- Incremental measurement function
- Works with sensor MS500
- Reference input



Mechanical data

Feature	Technical data	Additional information
System accuracy	$\pm(0.1+0.01 \times L)$ mm, L in mm	at $T_U = 20$ °C
Repeat accuracy	± 1 digit	
Supply connection	3-pin terminal strip	
Display/display range	5-digit LED, red, 10 mm	-99 999 ... 99 999
Sensor travel speed	5 m/s	with reading distance of 0.1 ... 2 mm
Design	panel-mount housing, cutout 68 x 33 mm bench-top housing	plastic, red transparent, snap module aluminum profile, black anodized
Protection category	IP40 according to DIN 40050 for whole device	IP60 according to DIN 40050 with switchboard installation
Operating temperature	-10 ... +70 °C	
Storage temperature	-30 ... +80 °C	
Humidity	max. 95 % rh	condensation inadmissible

Electrical data

Feature	Technical data	Additional information
Operating voltage	24 V DC ±20 % 230 V AC -10/+6 %	only with TGL with 24 V DC
Current consumption	<60 mA	
Resolution	in mm 0.01, 0.05, 0.1, 1	in inch 0.001, 0.01 programmable angle display
Interference protection class	3	according to IEC 801

Pin assignment

Signal
GND
+UB
Reset

Order

Order table

Feature	Order data	Specifications	Additional information
Operating voltage	4	24 V DC ±20 %	
	1	230 V bench-top housing design on request	
Sensor connection	S	pluggable	delivery without sensor MS500
	M	hard-wired	
Type of magnetic sensor	OS	without sensor	only with sensor connection "S"
	L	L design	
	F	F design	
Sensor cable length	...	1 ... 20 m, in steps of 1 m	only with sensor connection M

Order code

MA506 - EG - A - B - C - D

Scope of delivery: MA506, User information

Additional information:

Short Description, Technical Details
Product Overview

Page 46 cont.
Page 4 cont.