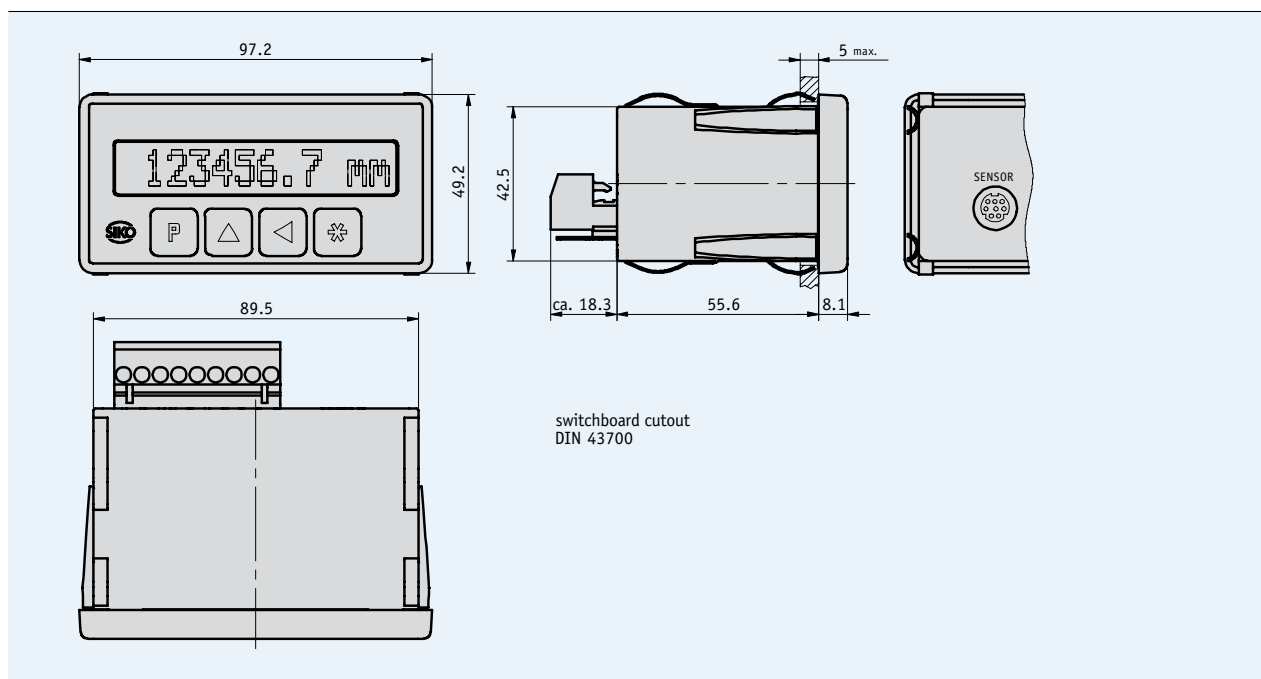


Profile

- Display accuracy max. 10 µm
- Repeat accuracy max. ±0.01 mm
- High-contrast LCD, 12-digit LCD dot matrix
- Incremental measurement and calibration function
- Direct reference/offset value input
- Calibration input
- Works with sensor MSA
- Option: serial interface RS232/RS485



5.2

Mechanical data

Feature	Technical data	Additional information
System accuracy	±(0.05+0.03 x L) mm, L in m	at T _U = 20 °C
Repeat accuracy	0.01 mm	
Magnetic sensor	MSA	absolute
Calibration input	9-pin screw-type terminal strip (EG)	
Supply connection	9-pin screw-type terminal strip(EG)	
Sensor connection	pluggable via Mini-DIN	
Display/display range	12-digit LCD dot matrix	-9 999 999 ... 9 999 999, sign, units
Design	panel-mount housing cutout 92 x 45 mm	Noryl GFN 2SE 1, as a snap module
Housing	plastic black	
Protection category	IP40 for whole device	according to DIN 40050
	IP60 with switchboard installation	according to DIN 40050
Operating temperature	0 ... +50 °C	
Storage temperature	-20 ... +80 °C	
Humidity	95 % rh	condensation inadmissible

Electrical data

Feature	Technical data	Additional information
Operating voltage	24 V DC ±20 % 230 V AC ±10 % 115 V AC ±10 %	
Current consumption	70 mA 20 mA 10 mA	24 V, incl. sensor 115 V, incl. sensor 230 V, incl. sensor
Interfaces/protocol	without RS232 with standard protocol	others on request
Resolution	in mm 0.01, 0.1, 1, 10 in inch 0.001, 0.01, 0.1, 1	programmable angle display
Interference protection class	3	according to TEC 801

Pin assignment

panel-mount housing EG

Signal	PIN
CAL	1
UB = +12 V for calibration input	2
GND	3
N.C.	4
RXD (RS232); DÜB (RS485); A2 (switching output)	5
TXD (RS232); DÜA (RS485); A1 (switching output)	6
PE	7
GND (24 V DC)	8
N (230/115 V AC)	
UB (24 V DC)	9
L (230/115 V AC)	

Order

Order table

Feature	Order data	Specifications	Additional information
Operating voltage	1	230 V AC ±10 %	
	2	115 V AC ±10 %	
	4	24 V DC ±20 %	
Interface/protocol	XX/XX	without	
	S1/00	RS232 with standard protocol	
	S3/00	RS485 with standard protocol	
Switching output	S0	without	
	SM	with	only with interface XX/XX

Order code

MA505 - EG - A - KM - B - C - S - MSA

Scope of delivery: MA505, User information

Additional information:

Short Description, Technical Details
Product Overview

Page 46 cont.
Page 4 cont.