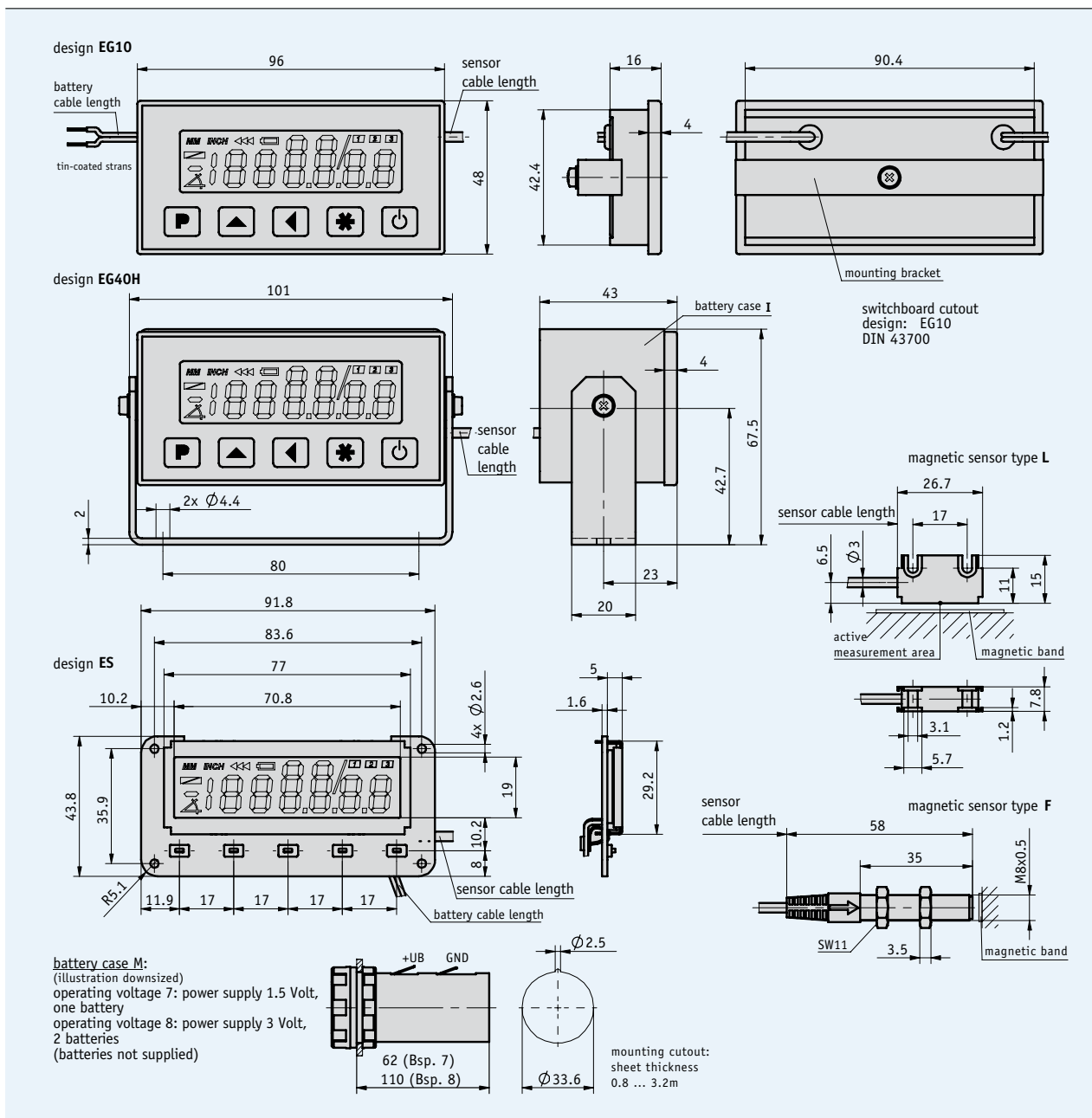


### Profile

- Max. display accuracy 10 µm or 1/8 inch
- Repeat accuracy 1 digit – max. ±0.01 mm
- Low-power LCD with decimal and fraction-inch function
- Max. sensor/band reading distance 2 mm
- Battery-buffered memory



### Mechanical data

Feature	Technical data	Additional information
System accuracy	±(0.1+ 0.01 x L) mm, L in mm	
Repeat accuracy	±1 digit	max. ±0.01 mm
Magnetic sensor	hard-wired	
Supply connection	strand led to the outside integrated battery compartment	with external battery holder
Display/display range	low-power LCD, approx. 12.5 mm high	decimal up to 10 µm, fraction-inch up to 1/16 Inch
Design	rectangle with elongated hole round design	
Housing	panel-mount housing, approx. 40 mm deep, installation kit	
Protection category	IP40 whole device, IP54 front side, IP67 sensor	
Operating temperature	0 ... +60 °C	
Storage temperature	-30 ...+80 °C	
Humidity	condensation inadmissible	
Travel speed	max. 5 m/s	

### Electrical data

Feature	Technical data	Additional information
Operating voltage	3 V DC 1.5 V DC	
Current consumption	approx. 400 µA	with battery monitoring
Resolution	max. 10 µm	programmable
Interference protection class	3	according to IEC 801

### Pin assignment

Signal	Cable color
GND	black
+UB	red

## Order

### Order table

Feature	Order data	Specifications	Additional information
Housing design	EG10	A	panel-mount housing, approx. 40 mm deep
	EG40H	A	panel-mount housing, approx. 40 mm deep
	ES		installation kit
Operating voltage	7	B	3 V DC
	8	B	1.5 V DC
Sensor design	L	C	rectangular
	F	C	round
Sensor cable length	...	D	0.3 ... 2 m in steps of 0.1 m
Supply cable length	...	E	0.3 ... 2 m in steps of 0.1 m
Battery compartment	M	F	with
	O	F	without
	I		integrated

### Order code

MA503/1 -  -  -  -  -  -

**Scope of delivery:** MA503/1, User information, Allen fastening screws M3 x 14 mm ISO 4762, lock washers M3 DIN 7980, strain relief for sensor cable, distance gage 0.8 mm

**Additional information:**

Short Description, Technical Details  
Product Overview

Page 46 cont.  
Page 4 cont.