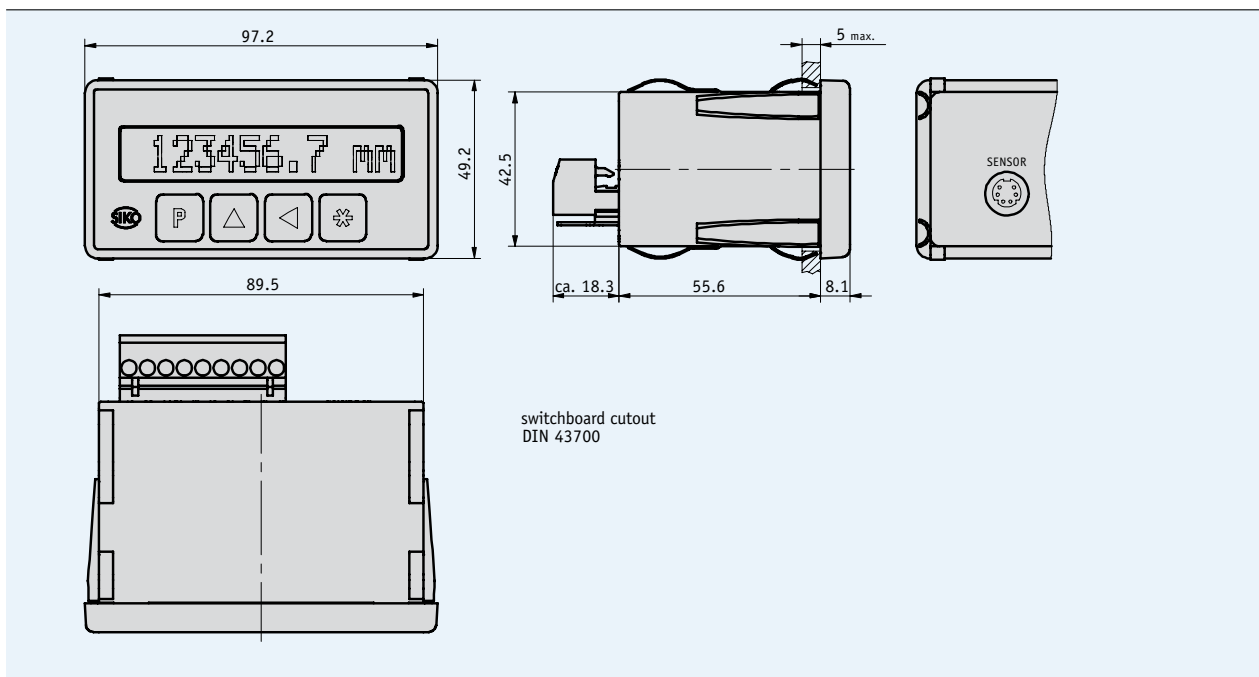


## Profile

- Max. display accuracy 1 µm
- Repeat accuracy ±1 digit, max. ±1 µm
- High-contrast LCD, 12-digit LCD dot matrix
- Incremental measurement and reference circuit
- Option: serial interface RS232/RS485



## 5.1



## Mechanical data

Feature	Technical data	Additional information
System accuracy	±(0.01 + 0.01 × L) mm, L in m	at T <sub>U</sub> = 20 °C with MB100
Repeat accuracy	±1 digit	
Magnetic sensor	type MS100/1	incremental
Supply connection	9-pin screw-type terminal strip (EG)	IEC connector TG
Sensor connection	Mini-DIN-bush	pluggable
Calibration input	9-pin screw-type terminal strip	
Display/display range	12-digit LCD dot matrix	-9 999 999 ... +9 999 999 sign + units
Housing	plastic black	
Protection category	IP 40 acc. to DIN40050 for whole device	IP60 according to DIN 40050 with switchboard installation
Operating temperature	0 ... +50 °C	
Storage temperature	-20 ... +80 °C	
Humidity	95 % rh	condensation inadmissible

## Electrical data

Feature	Technical data	Additional information
Operating voltage	24 V DC ±20 % 230 V AC ±10 % 115 V AC ±10 %	
Current consumption	70 mA 20 mA 10 mA	24 V, incl. sensor 115 V, inkl. Sensor 230 V, incl. sensor
Interfaces/protocol	without RS232 with standard protocol RS485 with standard protocol	
Resolution	0.001, 0.01, 0.1, 1, 10 0.001, 0.01, 0.1, 1	in mm in inch
Interference protection class	3 according to IEC 801	
Switching output	with or without	

## Pin assignment

Signal	Terminal
RESET	1
UB = +24 V DC (for reference switch) max. 50mA	2
GND	3
	4
RS232 (RXD) RS485 (DÜB) A2	5
RS232 (TXD) RS485 (DÜA) A1	6
PE	7
N (230/115 V AC) GND (24 V DC)	8
L (230/115 V AC) UB (24 V DC)	9

5.1

## Order

### Order table

Feature	Order data	Specifications	Additional information
Operating voltage	1	230 V AC ±10 %	
	2	115 V AC ±10 %	
	4	24 V DC ±20 %	
Interface/protocol	XX/XX	without	
	S1/00	RS232 with standard protocol	
	S3/00	RS485 with standard protocol	
Switching output	S0	without	
	SM	with	only with interface XX/XX

### Order code

MA100/2 - EG - A - RM - B - C

**Scope of delivery:** MA100/2, User information

#### Additional information:

Short Description, Technical Details  
Product Overview

Page 14 cont.  
Page 4 cont.