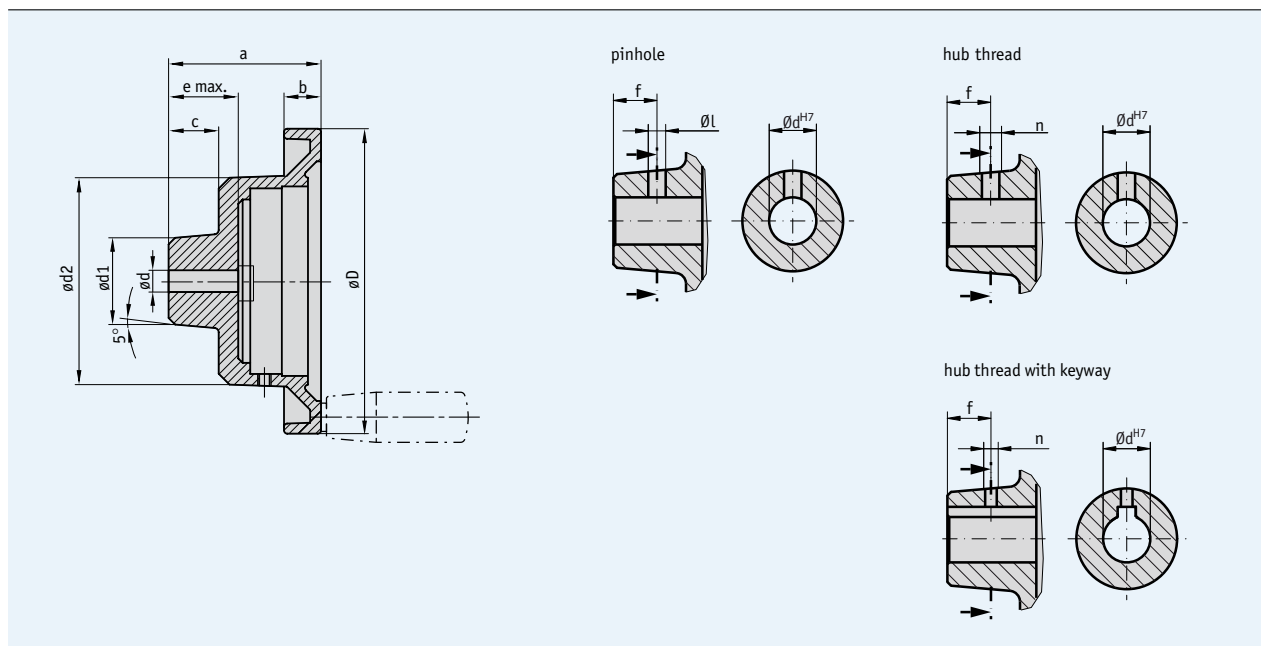


# Handwheel HK.../HKL...

## Aluminum handwheel in popular design

### Profile

- Classical handwheel made of aluminum casting
- Various sizes
- Plastic-coated or bright-finished surface
- Various hub versions
- Turning handle as an option (see accessories)



### Mechanical data

#### ■ Dimensions

type	ØD	Ødv	Ødx	Ød1	Ød2	a	b	c	e	GfG	suitable for	weight	material
HK 8	80	5.8	16	26	60	52	14	20	21	M6	S50/1	0.2 kg	aluminum
HK 10	100	5.8	16	26	60	55	15	20	23	M6	S50/1	0.4 kg	aluminum
HK 12	120	6.8	25	40	95	64	15	23	30	M6	S80/1; SZ80/1	0.5 kg	aluminum
HK 14	140	6.8	25	40	95	70	17	23	30	M8	S80/1; SZ80/1	0.6 kg	aluminum
HK 16	160	7.8	25	40	95	70	20	23	28	M8	S80/1; SZ80/1	0.7 kg	aluminum
HK 20	200	7.8	30	45	95	75	22	25	32	M10	S80/1; SZ80/1	0.8 kg	aluminum
HKL 20	200	7.8	30	45	132	75	22	25	30	M10	S120/1	0.9 kg	aluminum

dv = d predrilled; dx = d max.; GfG = thread for handle

## Special versions

Handwheel type	HK 8 / HK 10			
Bore dH7	6 ... 8	9, 10	11, 12	13 ... 16
Groove width for keyway JS9		3	4	5
Pinhole	3.8/12	3.8/12	3.8/12	4.8/12
Hub thread	without keyway JS9	M4/12	M4/12	M6/12
	with keyway JS9		M3/12	M3/12

Handwheel type	HK 12 / HK 14 / HK 16						
Bore dH7	7*), 8	9, 10	11, 12	13 ... 17	18 ... 21	22	23 ... 25
Groove width for keyway JS9		3	4	5	6	6	8
Pinhole	3.8/12	3.8/12	3.8/12	4.8/12	4.8/12	4.8/12	4.8/12
Hub thread	without keyway JS9	M4/12	M4/12	M4/12	M6/12	M6/12	M6/12
	with keyway JS9		M3/12	M3/12	M4/12	M5/12	

\*) Bore Ø7H7 only for HK 12 / HK 14

Handwheel type	HK 20 / HKL 20							
Bore dH7	8	9, 10	11, 12	13 ... 17	18 ... 22	23 ... 25	26	27 ... 30
Groove width for keyway JS9		3	4	5	6	8	8	8**)
Pinhole	3.8/12	3.8/12	3.8/12	4.8/12	4.8/12	4.8/12	5.8/12	5.8/12
Hub thread	without keyway JS9	M4/12	M4/12	M4/12	M6/12	M6/12	M8/12	M8/12
	with keyway JS9		M3/12	M3/12	M4/12	M5/12		

\*\*\*) not for HKL 20, additional special versions available on request. **Note: Characters highlighted in orange are order features.**

### Order

#### Order table

Feature	Order data	Technical data	Additional information
Handwheel type	HK...	A 8, 10, 12, 14, 16, 20	see "Dimensions"
	HKL20		see "Dimensions"
Surface	B	B unvarnished C plastic-coated, hammer finish paint, light-gray others on request	
	C		
Handle bore	OG	C without handle bore ... M6, M8, M10 with handle bore or handle thread	see "Dimensions", value GfG
	...		
Bore Ød	d vorg.	D predrilled, see table page 80, value Ødv ... 6 ... 30 d max. in mm steps (H7)	see "Dimensions"
	...		
Keyway	OP	E without keyway JS9 light seat P9 tight seat	
	JS9		according to DIN 6885 T1
	P9		according to DIN 6885 T1
Pinhole (only without keyway)	OS	F without pinhole ... diameter "Øl"/measure "f" (e.g. 3.8/12) others on request	see table "Special versions", depending on handwheel type, only if hub thread "ONG"
	...		
Hub thread	ONG	G without hub thread ... thread "n"/measure "f" (e.g. M4/12) others on request	see table "Special versions", depending on handwheel type, only if pinhole "OS"
	...		
Hub turned down	OAN	H without turned-down hub others on request	
	...		
Position indicator mounted (*)	PM	I position indicator mounted PS separate position indicator	
	PS		

\* separate order of a position indicator required! (see pages 68-77)

#### Order code



Scope of delivery: HK.../HKL...

#### Accessories:

Handles  
End plate

Page 98  
Page 99

#### Additional information:

General information and areas of application

Page 62 cont.