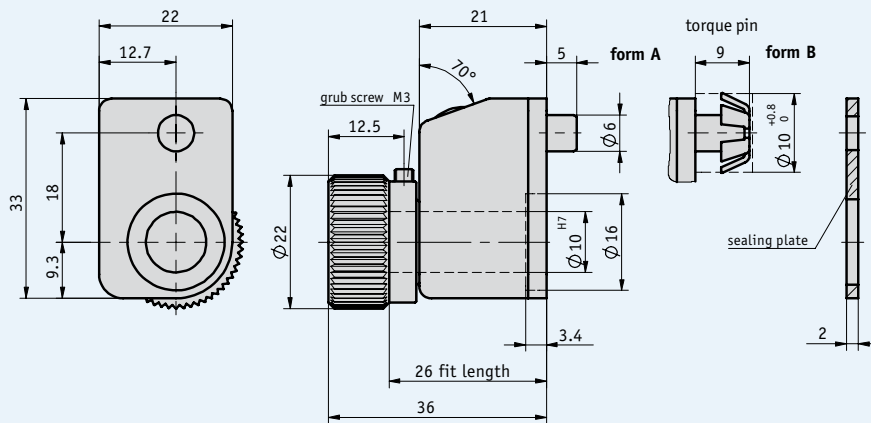


Mechanical control knob DK05

Miniaturized design with digital display

Profile

- Miniature control knob
- Shaft accommodation: max. \varnothing 10 mm
- Front display
- Counter with 3 decades
- Display can be designed for "mm" or "inch"
- Housing color: orange or black

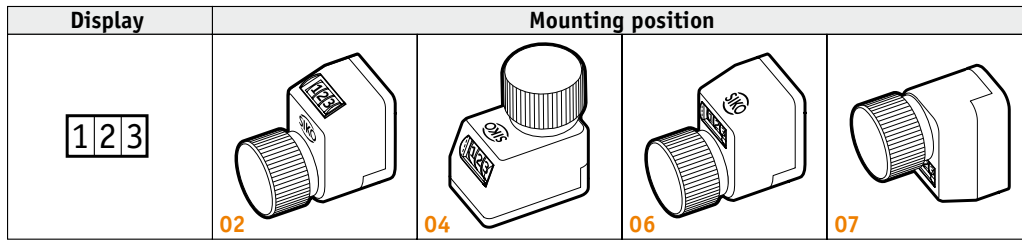


Mechanical data

Feature	Technical data	Additional information
Counter	3 decades	
Digit height	approx. 4 mm	
Ambient temperature	max. 80 °C	
Weight	approx. 0.02 kg	
Control knob shaft	\varnothing 10H7, plain bearing, anodized aluminum	
Housing	plastic, reinforced	

Order

■ Design



Note: Characters highlighted in orange are order features

■ Order table

Feature	Order text	Additional information
Design	... A 02, 04, 06, 07	see the icons illustrating the mounting position
Display after 1 st revolution	... B 7/5, 10, 12/5, 15, 17/5, 20, 25, 30, 40, 50, 60, 80, 100 others on request	/5 = arithmetical value not displayed
Decimal place	0 0 = 000 1 1 = 00.0 2 2 = 0.00	
Counting direction	i D ascending on the right e ascending on the left	clockwise counter-clockwise
Hollow shaft/diameter (mm)	10 E ∅ 10 mm RH8 reducing bush ∅ 8 mm RH6 reducing bush ∅ 6 mm others on request	
Color	0 F orange S black	
Torque support/form	A G cylindrical lug B for tolerance compensation	

■ Order code

DK05 - - - - - - -

A B C D E F G

Scope of delivery: DK05

Accessories:
Reducing bushes

Page 106

Additional information:
General information and areas of application

Page 44 cont.