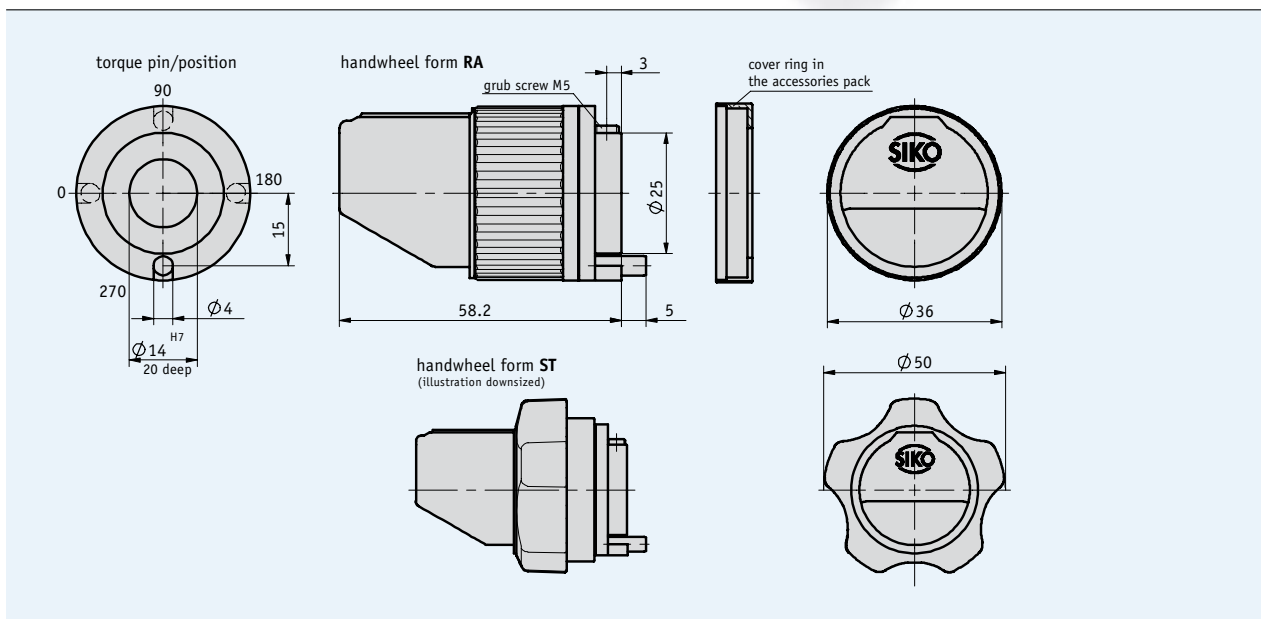


### Profile

- Control knob with integrated position indicator
- Shaft accommodation: max.  $\varnothing$  14 mm
- Counter with 4 decades and fine reading
- Various display values
- Star wheel as an option

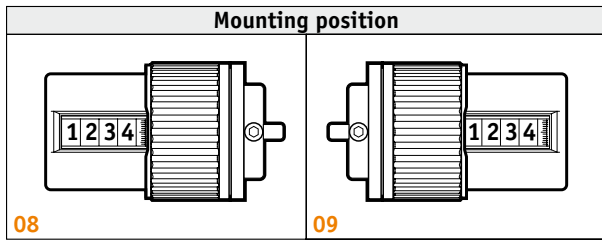


### Mechanical data

Feature	Technical data	Additional information
Counter	4 decades, fine reading	
Digit height	approx. 6 mm	
Ambient temperature	max. 80 °C	
Weight	0.06 kg	
Housing	plastic	

**Order**

■ **Design**



Note: Characters highlighted in orange are order features

■ **Order table**

Feature	Order text	Additional information
Design	... <b>A</b> 08, 09	see the icons illustrating the mounting position
Gear ratio	... <b>B</b> 12/5, 15, 17/5, 20, 25, 30, 40, 50, 100 others on request	/5 = arithmetical value not displayed
Decimal place	<b>0</b> 0 = 0000 <b>1</b> 1 = 000.0 <b>2</b> 2 = 00.00 <b>3</b> 3 = 0.000	
Counting direction	<b>i</b> <b>D</b> ascending on the right <b>e</b> ascending on the left	clockwise counter-clockwise
Hollow shaft/diameter (mm)	14 <b>E</b> Ø 14 mm ... <b>RH8, RH10, RH12</b> others on request	reducing bush
Torque support/position	270 <b>F</b> see the drawing 0 see the drawing 90 see the drawing 180 see the drawing	
Handwheel design	<b>RA</b> <b>G</b> knurled handle <b>ST</b> star wheel	
Window	<b>K</b> <b>H</b> plastic <b>M</b> mineral glass	
Sealing ring	<b>O</b> <b>I</b> without sealing ring <b>M</b> sealing ring provided with the accessories pack	

■ **Order code**

DK02 -  -  -  -  -  -  -  -  - **FR** -  -

A B C D E F G H I

**Scope of delivery:** DK02

➔ **Accessories:**  
Reducing bushes

Page 106

**Additional information:**  
General information and areas of application

Page 44 cont.