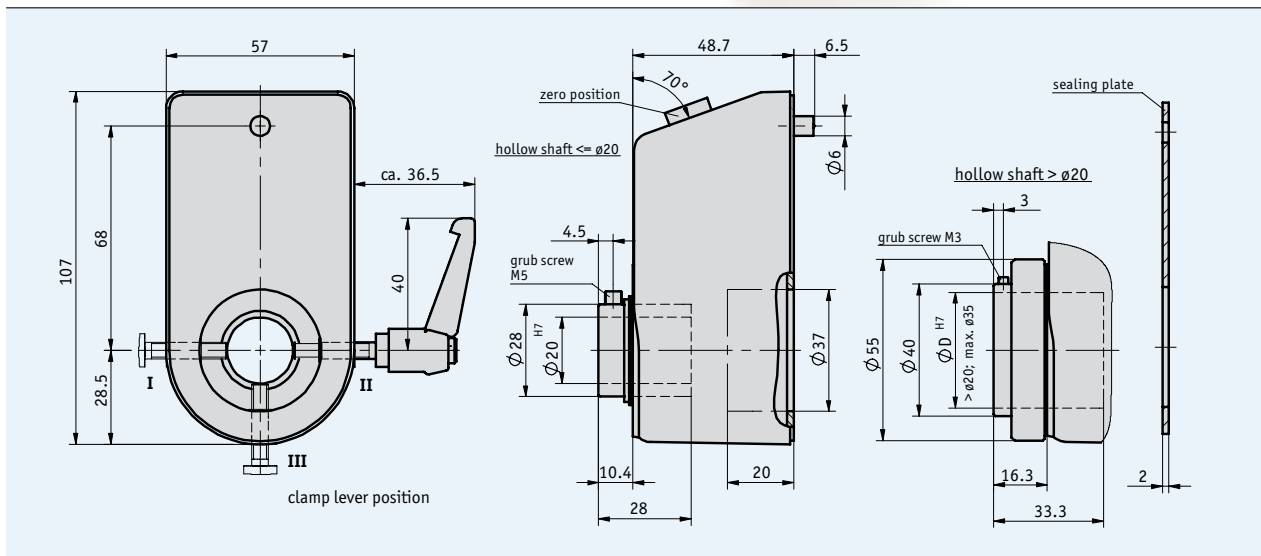


Profile

- Extremely sturdy design in a metal housing
- Hollow shaft, max. Ø 35 mm
- Counter with 4 or 5 decades
- Zeroing function
- Clamp lever integrated in the design
- Stainless-steel driving shaft as an option
- Reversible counting direction



Mechanical data

Feature	Technical data	Additional information
Counter	4 decades, fine reading	
Digit height	approx. 4.5 mm	
Housing	zinc die-cast	
Weight	0.7 kg	
Counting direction	adjustable	
Zero setting	selectable	
Ambient temperature	max. +80 °C	

Max. speed

Indication after 1st revolution	Max. speed (rpm)	
	with zero setting	without zero setting
(0)0010	500	1200
(0)0020	500	600
(0)0025	500	480
(0)0030	500	400
(0)0040	375	300
(0)0050	300	240
(0)0060	250	200
(0)0080	180	150
(0)0100	150	120

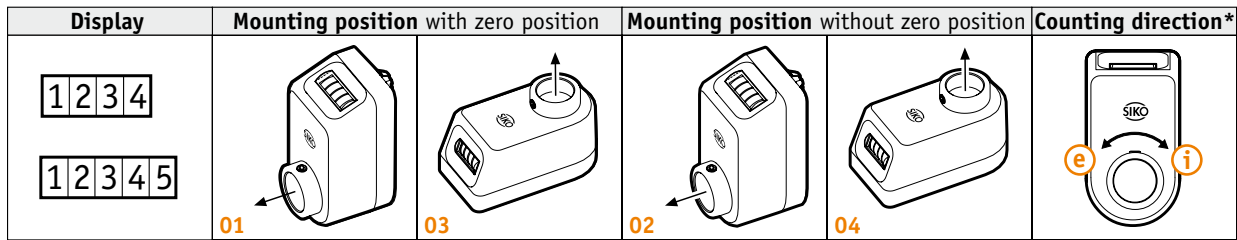
Formula for:

$$\text{max. speed with (without) zero setting} = \frac{5000 (12000)}{\text{Indication after 1st revolution}}$$

! Speeds >500 rpm must only be run for short periods.

Order

Design



Note: Characters highlighted in orange are order features

Order table

Feature	Order data	Specification	Additional information
Design/mounting position	01	A	with zero setting
	02		without zero setting
	03		with zero setting
	04		without zero setting
Counter/digits	4	B	decades
	5		decades
Indication after 1 st revolution	...	C	10, 15, 16, 20, 25, 30, 40, 50, 60, 80, 100
			others on request
Decimal place	0	D	0 = 00000
	1		1 = 0000.0
	2		2 = 000.00
	3		3 = 00.000
	4		4 = 0.0000
Counting direction = ascending values	i	E	clockwise
	e		counter-clockwise
	e/i		customer-adjustable
Hollow shaft/diameter (mm)	...	F	19, 20, 25, 35
	VA20		∅ 20 mm
	...		RH8, RH10, RH12, RH14, RH16, RH18
Housing color	0	G	orange RAL 2004
	S		black RAL 9005
	R		red RAL 3004
	U		unvarnished
Clamp lever/position	OKL	H	without clamp lever
	I		position I
	II		position II
	III		position III

Order code

DA08 - - - - - - - -

A B C D E F G H

Scope of delivery: DA08

Accessories:

Reducing bushes

Page 106

Additional information:

General information and areas of application

Page 8 cont.