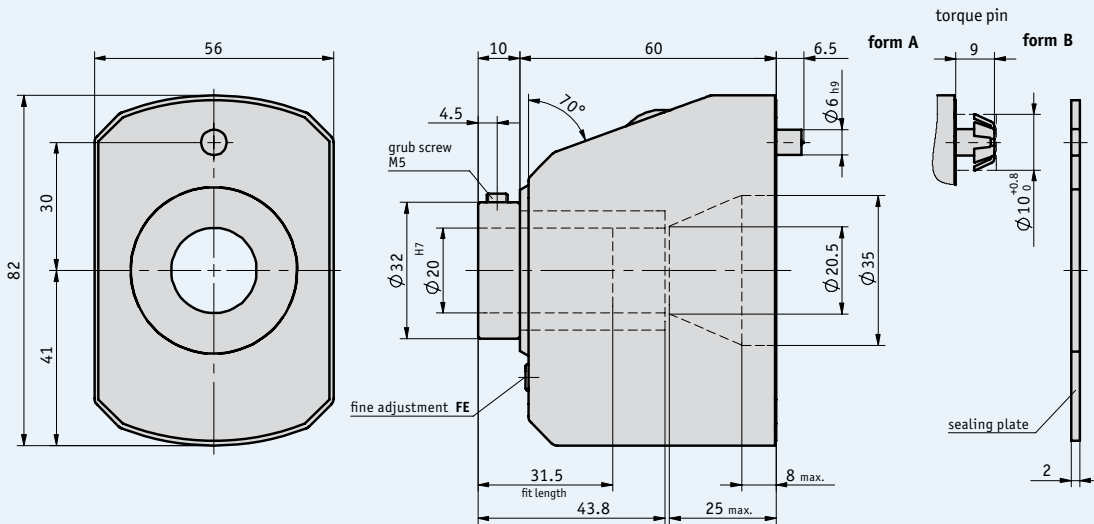


### Profile

- Robust design in a metal housing
- Hollow shaft, max. Ø 20 mm
- Counter with 5 decades and fine reading
- Display can be designed for “mm” or “inch”
- Attenuated counter system
- Fine setting for correction of dimensions
- Reversible counting direction



### Mechanical data

Feature	Technical data	Additional information
Counter	5 decades, fine reading	
Digit height	approx. 7 mm	
Housing	zinc die-cast	
Weight	0.5 kg	
Counting direction	adjustable	
Display adjustment	via adjusting screw	
Ambient temperature	max. +80 °C, design/mounting position	

### Max. speed

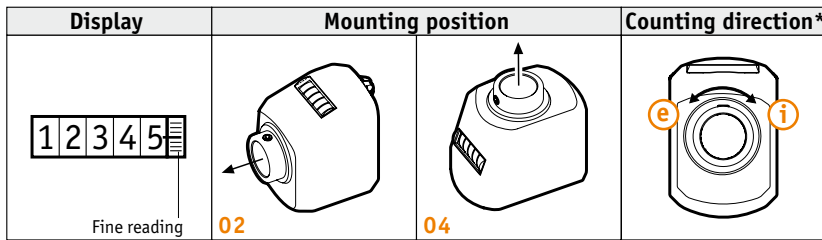
Indication after 1 <sup>st</sup> revolution	max. speed (rpm)
00010	500 (1500)
00015	500 (1000)
00020	500 (750)
00025	500 (600)
00030	500
00040	375
00050	300
00060	250
00080	180
00100	150

$$\text{Formula for max. speed} = \frac{15\,000}{\text{Indication after 1}^{\text{st}} \text{ revolution}}$$

**!** Speeds >500 rpm must only be run for short periods.

### Order

#### ■ Design



Note: Characters highlighted in orange are order features

#### ■ Order table

Feature	Order data	Specification	Additional information
Design/mounting position	... <b>A</b>	<b>02, 04</b>	see the icons illustrating the mounting positions
Indication after 1 <sup>st</sup> revolution	... <b>B</b>	<b>10, 15, 20, 25, 30, 31/5, 40, 50, 60, 80, 100</b> others on request	/5 = arithmetical value not displayed
Decimal place	<b>0</b>	0 = 00000	
	<b>1</b>	1 = 0000.0	
	<b>2</b>	2 = 000.00	
	<b>3</b>	3 = 00.000	
	<b>4</b>	4 = 0.0000	
Counting direction = ascending values	<b>i</b>	ascending values clockwise	
	<b>e</b>	ascending values counter-clockwise	
	<b>e/i</b>	customer-adjustable	by opening the housing, see technical details
Hollow shaft/diameter (mm)	... <b>E</b>	<b>20, 19.05, 19</b>	
	...	<b>RH6, RH8, RH10, RH12, RH14</b>	reducing bush
	...	<b>RH16, RH17.5, RH18</b>	reducing bush
Housing color	<b>O</b>	orange RAL 2004	
	<b>S</b>	black RAL 9005	
	<b>R</b>	red RAL 3004	
	<b>FR</b>	blazing red RAL 3000	
	<b>U</b>	unvarnished	
Fine adjustment	<b>FE</b>	with fine adjustment	
	<b>OFE</b>	without fine adjustment	
Slip clutch	<b>RK</b>	with slip clutch	
	<b>ORK</b>	without slip clutch	
Torque support/form	<b>A</b>	form A	
	<b>B</b>	form B for tolerance compensation	
Labyrinth seal	<b>OLD</b>	without labyrinth seal	
	<b>LD</b>	with labyrinth seal	

#### ■ Order code

DA05/1 -  -  -  -  -  -  -  -  -  -  -

A      B      C      D      E      F      G      H      I      K

**Scope of delivery:** DA05/1, User information

**Accessories:**  
Reducing bushes

Page 106

**Additional information:**  
General information and areas of application

Page 8 cont.