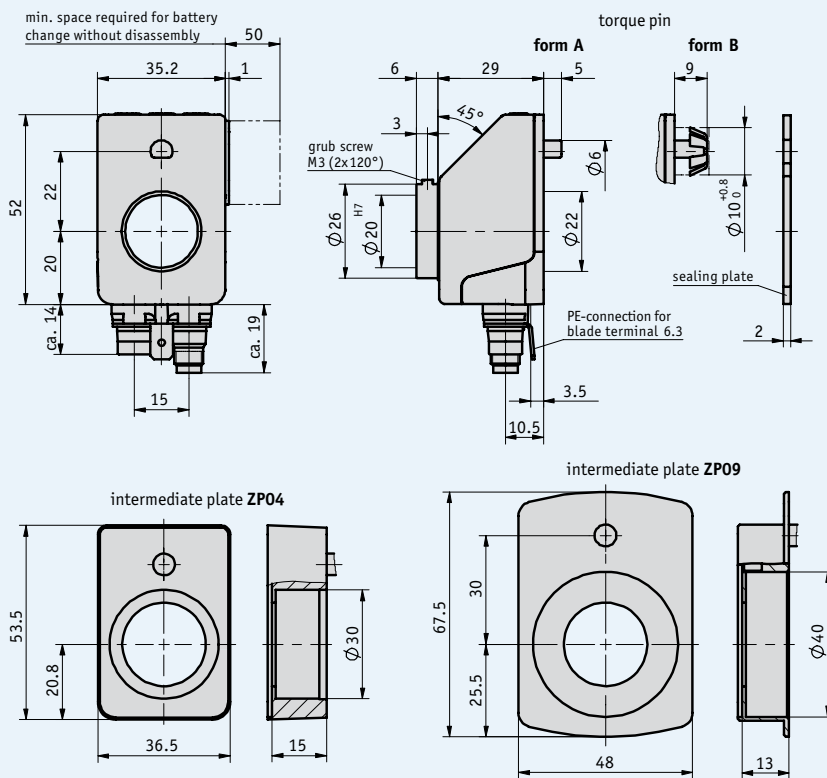


### Profile

- Electronic position indicator with bus interface
- Compact design
- Hollow shaft, max.  $\varnothing$  20 mm
- Easily readable, two-line LCD for target and actual values
- Reset, incremental measurement, offset via keyboard
- Integrated RS485 interface, CAN bus as an option
- Robust sensor technology unit thanks to magnetic scanning



### Mechanical data

Feature	Technical data	Additional information
Max. speed	≤500 rpm	
Operating temperature range	0 ... 60 °C	
Storage temperature range	-20 ... +80 °C	
Humidity	condensation permitted	
Protection category	IP53	in the mounted state, standard version
Housing	plastic reinforced	metal connector thread
Driving shaft	stainless steel	
Housing color	black, RAL 9005	

### Electrical data

Feature	Technical data	Additional information
Operating voltage	24 V DC ±20 %	
Current consumption	approx. 30 mA	
Battery life	approx. 5 years	
Type of connection	2x M8 connector	4-pin, 1x bush, 1x connector, additionally screen connection via flat-cable plug 6.3 mm
Bus connection	CAN bus or RS485	no galvanic isolation
Display	LCD display	7-segment + decimal points; 2 lines of 5 digits each, special characters
Special characters	left arrow, right arrow, increm. measur.	
	replace battery	
Display size	approx. 7 mm digit height	
Keys	incremental measurement function, parameterization , reset	
Scanning	magnetic	
Resolution	720 increments/revolution	
Display resolution	freely parameterizable between 1 and 65535 increments/revolution	
Coded number of revolutions	max. 7281	

### Pin assignment

#### ■ Interfaces

RS485	CAN bus	PIN
TxRx-/DÜB	CANL	1
TxRx+/DÜA	CANH	2
+24 V DC	+24 V DC	3
GND	GND	4

### Order

#### ■ Order table

Feature	Order text	Specification	Additional information
Interface/protocol	<b>S3/00</b> <b>CAN</b>	<b>A</b> RS485/standard CANopen	
Hollow shaft/diameter (mm)	<b>20</b> ...	<b>B</b> Ø 20 mm <b>RH10, RH12, RH14, RH16</b> others on request	reducing bushes
Torque support/form	<b>A</b> <b>B</b>	<b>C</b> cylindric pin for tolerance compensation	
Intermediate plate	<b>OZP</b> <b>ZP04</b> <b>ZP09</b>	<b>D</b> without intermediate plate adapter plate	

#### ■ Order code

**AP04** -  -  -  -  -  - **S**

A      B      C      D

**Scope of delivery:** AP04, User information

#### Accessories:

Reducing bushes Page 106  
 Mating connectors Page 102  
 Cable extension Page 103  
 Battery unit Page 104

#### Additional information:

General information and areas of application Page 30 cont.