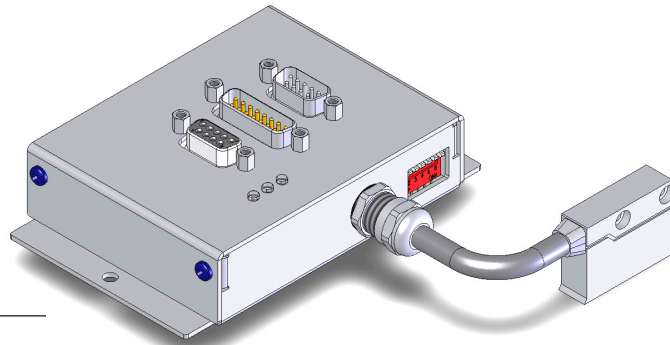


Evaluation electronics ASA510H-hybrid



SIKO GmbH

Address
 Weihermattenweg 2
 79256 Buchenbach

Telephone
 +49 7661 394-0

Fax
 +49 7661 394-388

eMail
 info@siko.de
Internet
 www.siko.de

Features:

- Absolute measuring unit with permantly connected sensor
- Accuarcy class 0,05mm; max. resolution 0,001mm
- SSI or RS485 interface
- Scale MB500
- Gap sensor/magnetic strip max. 2,0mm
- max. measurement length ±655m
- Maintenance-free backup battery
- Optional digital interface: LD quadrature signal
- Optional analog interface: 1V_{ss} / 2,2V_{ss}

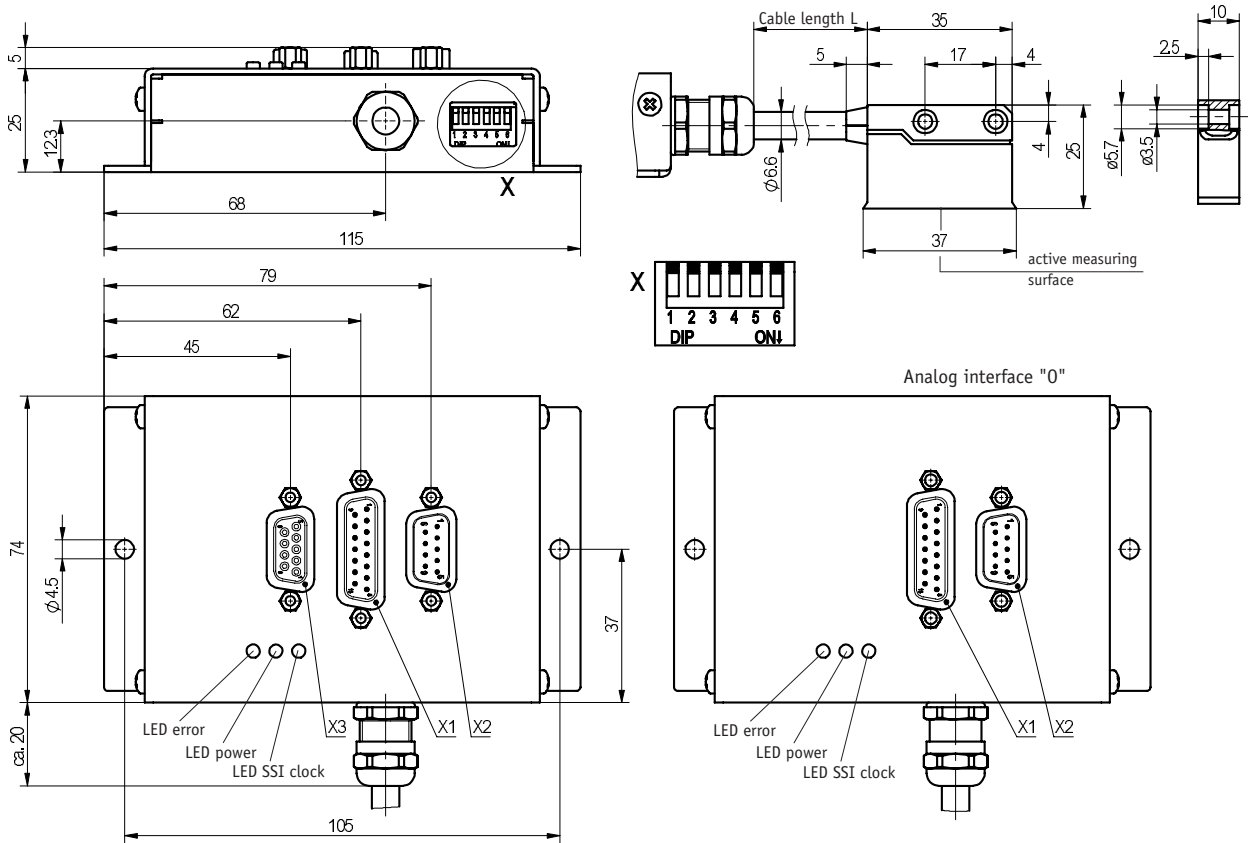
Resolution (µm)	Travel speed Vmax. (m/s)					
	1	4,00	1,60	0,72	0,32	0,12
5	8,00	8,00	3,60	1,60	0,62	
10	8,00	8,00	7,20	3,20	1,25	
12,5	8,00	8,00	8,00	4,00	1,60	
Pulse interval (µs)	0,2	0,5	1,1	2,5	6,3	
Count. frequ. (kHz)	1250,00	500,00	230,00	100,00	40,00	

Note: The internal translation module can generate fast counting pulses, the lengths of wich are limited by the pulse interval. The follower elctronics must be adjusted accordingly. Select the pulse interval in advance, if necessary.

Feature	Order text	Additional information
Cable length L (in m)	1,0	standard
	0,2 ... 6,0 A	
Digital interface	LD B	Line Driver (RS422)
	0	without
Digital resolution (in µm)	10 C	standard
	1	
	5	
	12,5	
Pulse interval (in µs)	1,1 D	standard
	0,2	
	0,5	
	2,5	
	6,3	
Analog interface	1V _{ss} E	standard
	2,2V _{ss}	
	0	without
Software	S F	standard

Your ordering: ASA510H - A - B - C - D - E - F

Evaluation electronics ASA510H-hybrid



Connector X1

Digital interface	Pin	1	2	3	4	5	6	7	8	9	10	11	12	13	14	15
0	Signal	---	---	+24VDC	0V	---	---	SSI_DATA	/SSI_DATA	---	---	---	SSI_GND	---	SSI_CLK	/SSI_CLK
LD	Signal	---	---	+24VDC	0V	---	---	SSI_DATA	/SSI_DATA	---	---	---	SSI_GND	---	SSI_CLK	/SSI_CLK

Connector X2

Digital interface	Pin	1	2	3	4	5	6	7	8	9
0	Signal	---	---	---	+24VDC	0V	---	---	DÚA	DÛB
LD	Signal	A	B	---	+24VDC	0V	/A	/B	DÚA	DÛB

Connector X3

Analog interface	Pin	1	2	3	4	5	6	7	8	9
0	Signal	---	---	---	---	---	---	---	---	---
1Vss	Signal	Sin	/Sin	Cos	---	---	---	ANA_GND	/Cos	---
2,2Vss	Signal	Sin	/Sin	Cos	---	---	---	ANA_GND	/Cos	---

Technical data

Mechanical data:	
Housing of translation modul	sheet steel, electro-galacanisied
Housing of sensor	zinc die casting
Cable length of sensor lead	max. 6,0m
Cable sheath sensor	PVC
Drag chain suitability	min. 1.000.000 at bending radius = 8x cable-ø and 20°C
Electrical data:	
Power supply	24VDC ±20%, with polarity protection
Power consumption	< 150mA
EMV compatibility	DIN EN 61000-6-2 DIN EN 61000-6-4
Test mark	CE
Backup battery	10 years of service life; at T ₀ = 20°C; according to manufacture's specification
Weight	approx. 420g
Environmental conditions:	
Operating temperature	0°C ... +60°C
Storage temperature	-20°C ... +70°C
Humidity of translation module	max. 95% rh; condensation inadmissible
Humidity of sensor	max. 100% rh; condensation permitted
Type of protection translation module	IP20; according to DIN VDE 0470
Type of protection sensor	IP67; according to DIN 40050

Technical data

System data:		
Resolution	SSI LD	5 or 10 µm via DIP-switch choosable max. 1µm
Pole length		5mm
Suitable magnetic strip		MB500
System accuracy		±(0,025+0,01xL)mm [L in m]; at T ₀ = 20°C; [L = per started metre]
Repeat accuracy		±5µm
max. travel speed absolute value		3m/s
max. travel speed sensor/ magnetic strip gap		8m/s 0,1 ... 2,0mm; over the whole measuring length
Accessory		
73947 + 73946		Mating connector X1 15-polig D-Sub female + hood
71366 + 71365		Mating connector X2 9-polig D-Sub female + hood
71364 + 71365		Mating connector X3 9-polig D-Sub male + hood