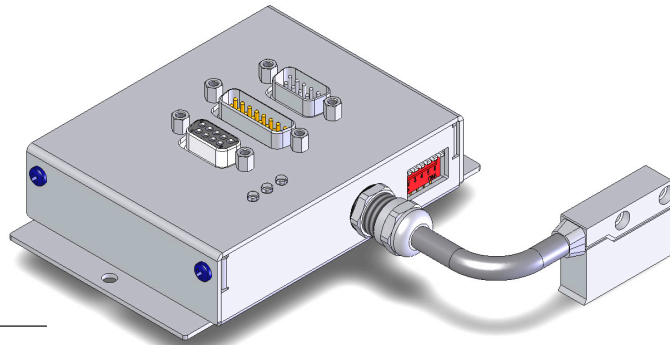


# Evaluation electronics ASA110H-hybrid



**SIKO GmbH**

**Address**  
Weihermattenweg 2  
79256 Buchenbach

**Telephone**  
+49 7661 394-0

**Fax**  
+49 7661 394-388

**eMail**  
info@siko.de  
**Internet**  
www.siko.de

**Features:**

- Absolute measuring unit with permantly connected sensor
- Accuary class 0,05mm; max. resolution LD quadrature 0,2µm
- SSI or RS485 interface
- Scale MBA110
- Gap sensor/magnetic strip max. 0,4mm
- Maintenance-free backup battery
- Optional digital interface: LD quadrature signal
- Optional analog interface: 1Vs

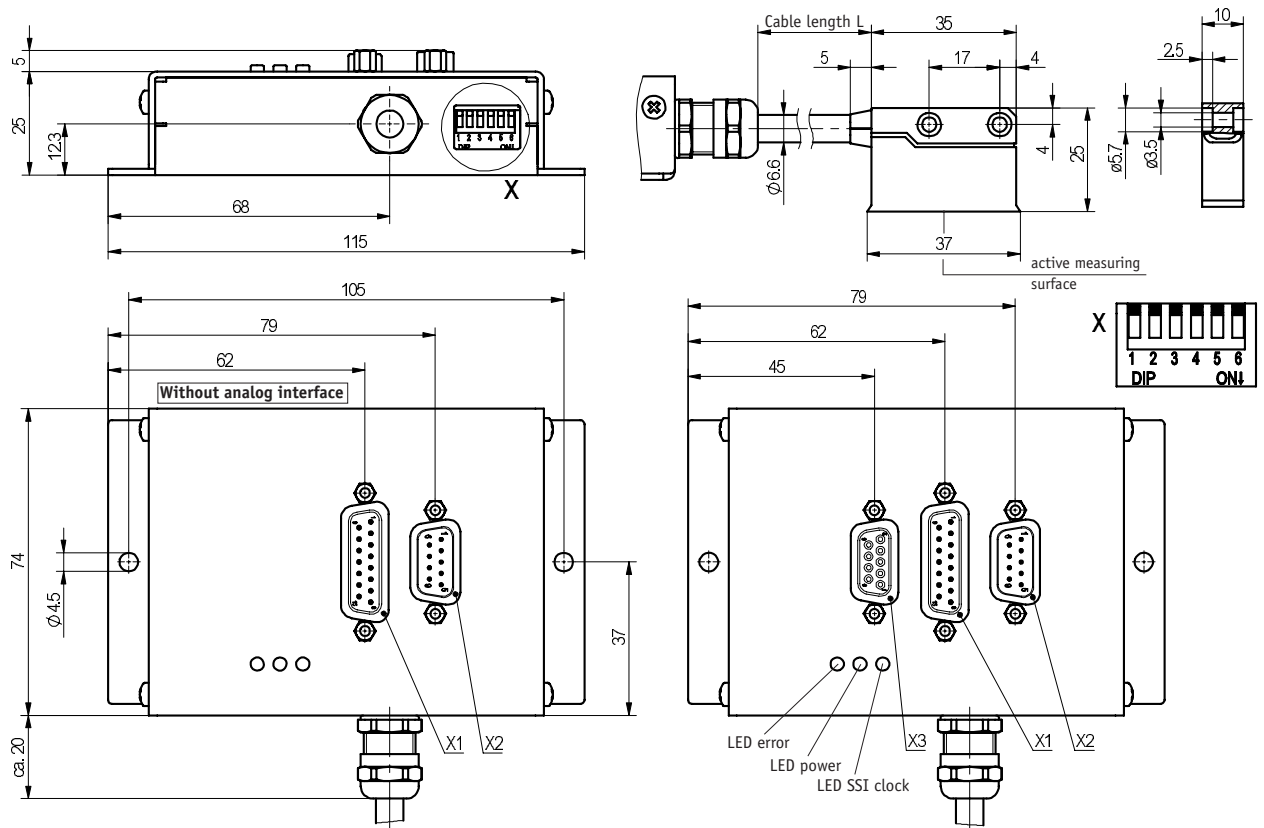
Resolution (µm)	Travel speed Vmax. (m/s)				
	0,2	0,32	0,15	0,06	0,02
0,2	0,80	0,32	0,15	0,06	0,02
1	4,00	1,60	0,72	0,32	0,12
10	8,00	8,00	7,20	3,20	1,25
12,5	8,00	8,00	8,00	4,00	1,60
<b>Pulse interval (µs)</b>	0,2	0,5	1,1	2,5	6,3
<b>Count. frequ. (kHz)</b>	1250,00	500,00	230,00	100,00	40,00

**Note:** The internal translation module can generate fast counting pulses, the lengths of wich are limited by the pulse interval. The follower elctronics must be adjusted accordingly. Select the pulse interval in advance, if necessary.

Feature	Order text	Additional information
Cable length L (in m)	1,0	standard
	0,2 ... 6,0	
Digital interface	0	without
	LD	Line Driver (RS422)
	2xLD	2x Line Driver (RS422)
Digital resolution (in µm)	1	standard
	0,2	
	10	
	12,5	
Pulse interval (in µs)	1,1	standard
	0,2	
	0,5	
	2,5	
	6,3	
Analog interface	0	without
	1Vs	
Software	S	standard

Your ordering:  -  -  -  -  -  -

# Evaluation electronics ASA110H-hybrid



Connector X1

Digital interface	Pin	1	2	3	4	5	6	7	8	9	10	11	12	13	14	15
0	Signal	---	---	+24VDC*	0V*	---	---	SSI_DATA	/SSI_DATA	---	---	---	SSI_GND	---	SSI_CLK	/SSI_CLK
LD	Signal	---	---	+24VDC*	0V*	---	---	SSI_DATA	/SSI_DATA	---	---	---	SSI_GND	---	SSI_CLK	/SSI_CLK
2xLD	Signal	A	/A	+24VDC*	0V*	---	---	SSI_DATA	/SSI_DATA	B	/B	---	SSI_GND	---	SSI_CLK	/SSI_CLK

Connector X2

\* is valid only for software S

Digital interface	Pin	1	2	3	4	5	6	7	8	9
0	Signal	---	---	---	+24VDC	0V	---	---	DÜA	DÜB
LD	Signal	A	B	---	+24VDC	0V	/A	/B	DÜA	DÜB
2xLD	Signal	A	B	---	+24VDC	0V	/A	/B	DÜA	DÜB

Connector X3

Analog interface	Pin	1	2	3	4	5	6	7	8	9
0	Signal	---	---	---	---	---	---	---	---	---
1Vss	Signal	Sin	/Sin	Cos	---	---	---	ANA_GND	/Cos	---

## Technical data

Mechanical data:	
Housing of translation modul	sheet steel, electro-galacanisied
Housing of sensor	zinc die casting
Cable length of sensor lead	max. 6,0m
Cable sheath sensor	PVC
Drag chain suitability	min. 1.000.000 at bending radius = 8x cable-ø and 20°C
Electrical data:	
Power supply	24VDC ±20%, with polarity protection
Power consumption	< 150mA
EMV compatibility	DIN EN 61000-6-2 DIN EN 61000-6-4
Test mark	CE
Backup battery	10 years of service life; at T <sub>0</sub> = 20°C; according to manufacture's specification
Weight	approx. 420g
Environmental conditions:	
Operating temperature	0°C ... +60°C
Storage temperature	-20°C ... +70°C
Humidity of translation module	max. 95% rh; condensation inadmissible
Humidity of sensor	max. 100% rh; condensation permitted
Type of protection translation module	IP20; according to DIN VDE 0470
Type of protection sensor	IP67; according to DIN 40050

## Technical data

System data:		
Resolution	SSI	1µm; fix
	LD	max. 0,2µm
Pole length		5mm (track 1) / 1mm (track 2)
Suitable magnetic strip		MBA110
System accuracy		±(0,025+0,01xL)mm [L in m]; at T <sub>0</sub> = 20°C; [L = per started metre]
Repeat accuracy		±5µm
max. travel speed absolute value		0,5m/s
max. travel speed sensor/ magnetic strip gap		8m/s
		0,1 ... 0,4mm; over the whole measuring length
Accessory		
	73947 + 73946	Mating connector X1 15-polig D-Sub female + hood
	71366 + 71365	Mating connector X2 9-polig D-Sub female + hood
	71364 + 71365	Mating connector X3 9-polig D-Sub male + hood