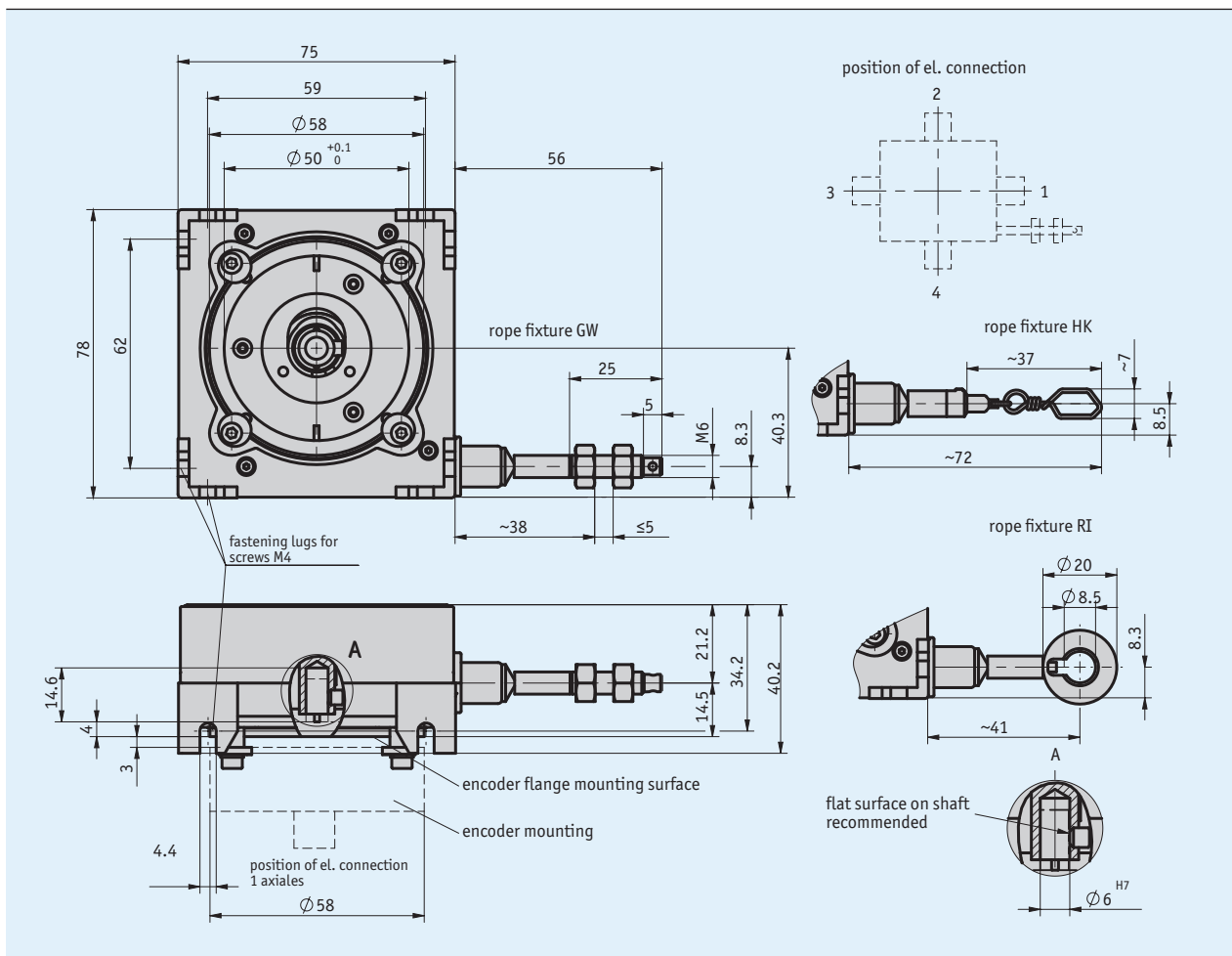
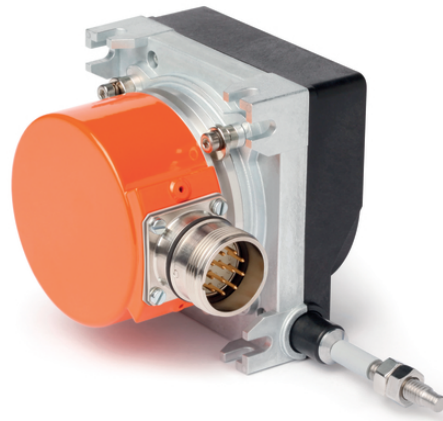


Profile

- Robust design
- Measuring lengths up to 3000 mm
- Wire-actuated encoder for rotary encoder with 58 mm servo-flange
- Variable mounting options
- Lockable ventilation holes against condensation
- Very robust measuring rope (stainless steel)
- High tightness at the rope outlet
- Also available as a safety version in combination with WV58MR rotary encoder



Mechanical data

Feature	Technical data	Additional information
Housing	zinc die-cast, plastic	
Wire design	$\varnothing 0.61$ mm $\varnothing 0.6$ mm	rustproof stainless steel, plastic-coated rustproof stainless steel
Extension force	≥ 9 N	
Measured distance/ rope drum revolution	200 mm	
Weight	~ 0.35 kg	

Electric data

You can find suitable rotary encoders on our website www.siko-global.com. They are suitable ...

- for analog outputs such as current or voltage: AV3650M, AV58M
- for incremental outputs: IV5800
- for absolute outputs: WV58MR, WV5800M, WV5850, WV3650M, WV36M/CAN

SIKO rotary encoders have the following interfaces, among others: incremental, SSI, CANopen, CANopen Safety, SAE J1939, various fieldbus protocols

The technical specifications for these devices can be found in the respective data sheets. In addition, numerous encoder variants from different manufacturers can be used.

System data

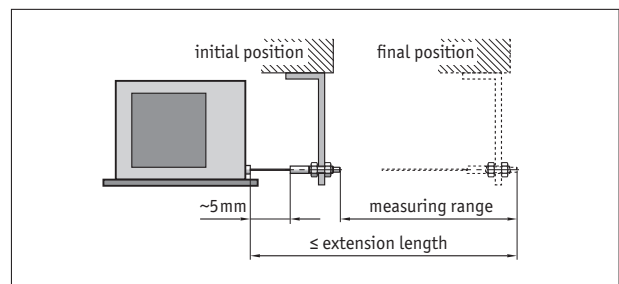
Feature	Technical data	Additional information
Repeat accuracy	±0.15 mm	per direction of approach
Travel speed	≤800 mm/s	

Ambient conditions

Feature	Technical data	Additional information
Ambient temperature	-40 ... 80 °C	

Hint for mounting

When securing the wire it must be ensured that the wire is straight and vertical in relation to the wire outlet.
 Recommendation: Only select the starting position after an unwound length of approx. 5 mm. This prevents the wire hitting the end stop when it is rewound.



symbolic depiction

Order

Ordering information

One or more system components are required:

Absolute encoder WV58MR	www.siko-global.com
Absolute encoder WV5800M	www.siko-global.com
Absolute encoder WV5850	www.siko-global.com
Absolute encoder AV58M	www.siko-global.com
Incremental encoder IV5800	www.siko-global.com
Absolute encoder WV3650M	www.siko-global.com
Absolute encoder WV36M/CAN	www.siko-global.com

Ordering table

Feature	Ordering data	Specification	Additional information
Rope fixture	GW	A wire suspension with thread	
	HK		HK wire suspension with hook
	RI		RI wire suspension with ring
Wire design	S	B stainless steel rope	
	SK		SK stainless steel rope, plastic-coated
Encoder type	OG6	C without encoder	
	S6		S6 a wide range of encoders can be used
Position of electrical connection	1	D direction or wire outlet or axially	
	2		2 upward
	3		3 opposite the wire outlet
	4		4 downward
	0		0 without encoder

Order key



Scope of delivery: SG31, Mounting instructions

Accessories you can find:

Guide roller UR
Wire extension piece SV

www.siko-global.com
www.siko-global.com