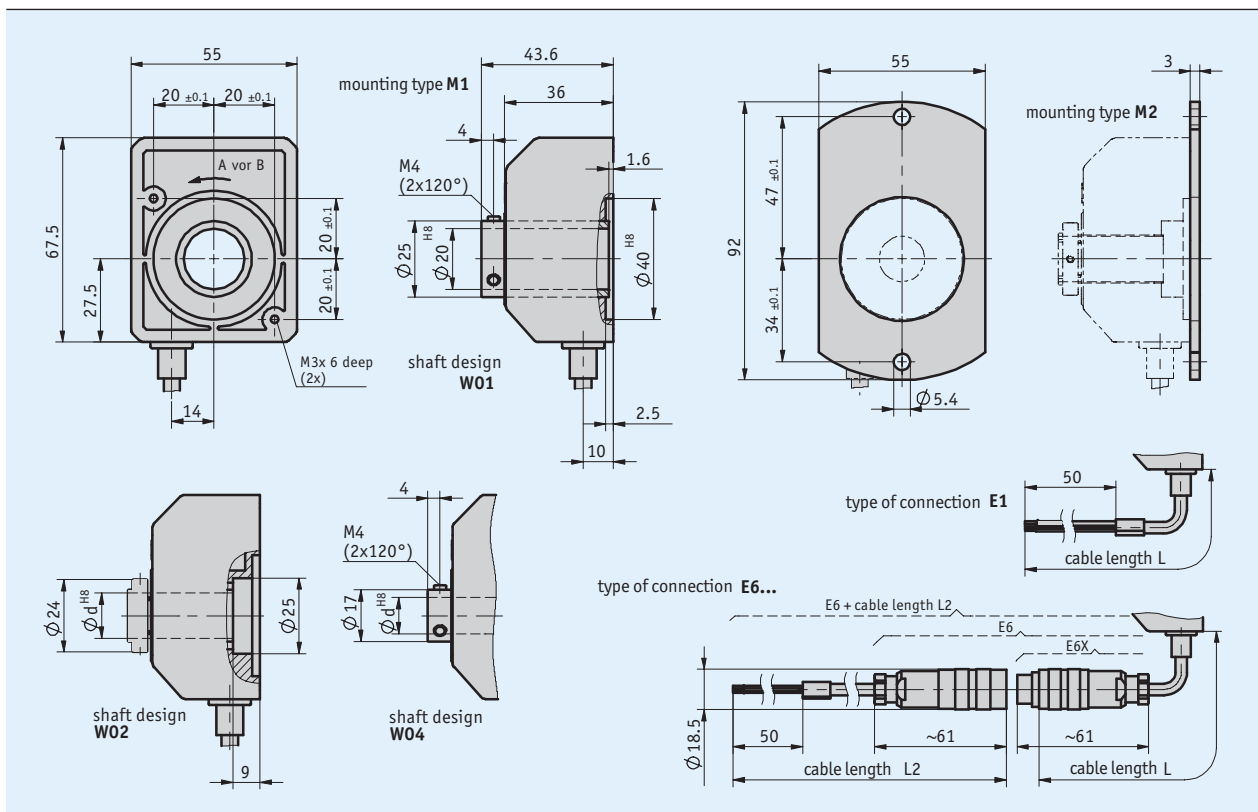


Profile

- Resolutions of max. 1024 pulses/revolution
- Through hollow shafts up to $\varnothing 20$ mm
- Housing made of impact-resistant plastic
- Low-cost version



Mechanical data

Feature	Technical data	Additional information
Shaft	black-finished steel	
Housing	reinforced plastic	
Speed	≤600 rpm	W01 shaft design
	≤6000 rpm	W02, W04 shaft design
Moment of inertia	~10.5 x 10 ⁻⁶ kgm ²	W01 shaft design
	~9.5 x 10 ⁻⁶ kgm ²	W02 shaft design
	~9 x 10 ⁻⁶ kgm ²	W04 shaft design
Starting torque	≤15 Ncm at 20 °C	W01 shaft design
	≤1.5 Ncm at 20 °C	W02, W04 shaft design
Shaft load rating	10 N axial	W01 shaft design
	20 N radial	W01 shaft design
	25 N axial	W02, W04 shaft design
	50 N radial	W02, W04 shaft design
Cable sheath	PVC or PUR	
Weight	~0.14 kg	

Electrical data

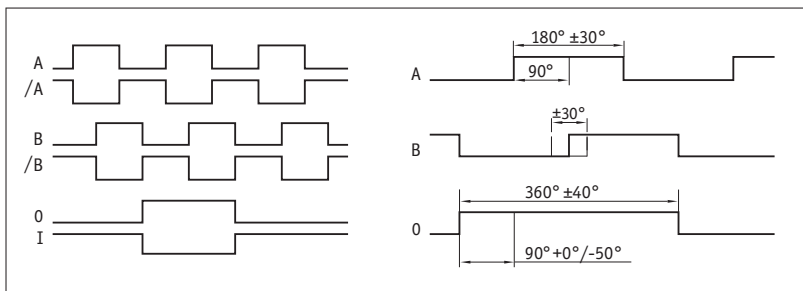
■ PP output circuit

Feature	Technical data	Additional information
Operating voltage	10 ... 30 V DC	reverse polarity protected
Current consumption	typical <50 mA	without load (ABO output signals)
Output signal level high	UB -2 V, at 20 mA	
Output signal level low	≤1 V at 20 mA	
Pulse frequency	≤25 kHz	
Phasing	90° ±30°	
Load	±40 mA short-circuit proof	max. adm.

■ OC output circuit

Feature	Technical data	Additional information
Operating voltage	10 ... 30 V DC	reverse polarity protected
Current consumption	typically <50 mA	without load (ABO output signals)
Output signal level high	wiring-dependent	
Output signal level low	≤0.1 V DC	
Pulse frequency	≤25 kHz	
Phasing	90° ±30°	
Load	±50 mA	max. adm.

■ Signal pattern



Ambient conditions

Feature	Technical data	Additional information
Ambient temperature	0 ... 60 °C	
Storage temperature	-20 ... 80 °C	
Protection category	IP54	EN 60529
Shock resistance	2000 m/s ² , 6 ms	EN 60068-2-27
Vibration resistance	100 m/s ² , 50 Hz	EN 60068-2-6

Pin assignment

■ Output circuit PP, OC

Signal	E1	E6X, E6
GND	gray	1
A	yellow	2
B	white	3
O/I	green	4
+UB	brown	5
nc		6
nc		7

Order

■ maximum pulses with output signals

Output signal	Plain bearing W01	Ball bearing W02, W04
AXX	500	1024
ABX	250	500
AB0	220	250
ABI	220	250



The max. permissible pulses/revs. must not be exceeded by the output signals.

■ Ordering table

Feature	Ordering data	Specification	Additional information
Output signals	... A	AXX, ABX, AB0, ABI	
Pulses/revolution	... B	1, 2, 5, 10, 20, 25, 36, 40, 50, 60, 70, 80, 100, 125, 150, 180, 200, 220, 240, 250, 300, 360, 400, 500, 600, 1000, 1024 others on request	
Cable sheath	PUR C PVC C	PUR, oil-resistant PVC	
Type of connection	E1 D E6 D E6X D	open cable end cable coupler with cable extension cable coupler	
Cable length L	... E ... E	00.3, 02.0 ... 40 m, in intervals of 1 m 00.3, 02.0, 03.0	only PVC only PUR
Cable length L2	... F ... F	00.3, 02.0 ... 15 m, in intervals of 1 m 00.3, 02.0, 03.0	only PVC only PUR
Mounting type	1 G 2 G	with blind borehole with mounting plate	
Output circuit	PP H OC H	push-pull open collector	
Shaft design	W01 I W02 I W04 I	setscrew/friction bearing clamping ring/ball bearing setscrew/ball bearing	
Hollow shaft/diameter	20 J ... J ... J	20 mm 14, 15 mm 10, 12 mm	with W01 with W02 with W04

■ Order key



Scope of delivery: IG06

Accessories:

- Electronic display MA10/4
- Electronic display MA07/1
- Electronic display MA48
- Electronic display MA55
- Cable extension KV0750

- www.siko-global.com
- www.siko-global.com
- www.siko-global.com
- www.siko-global.com
- www.siko-global.com