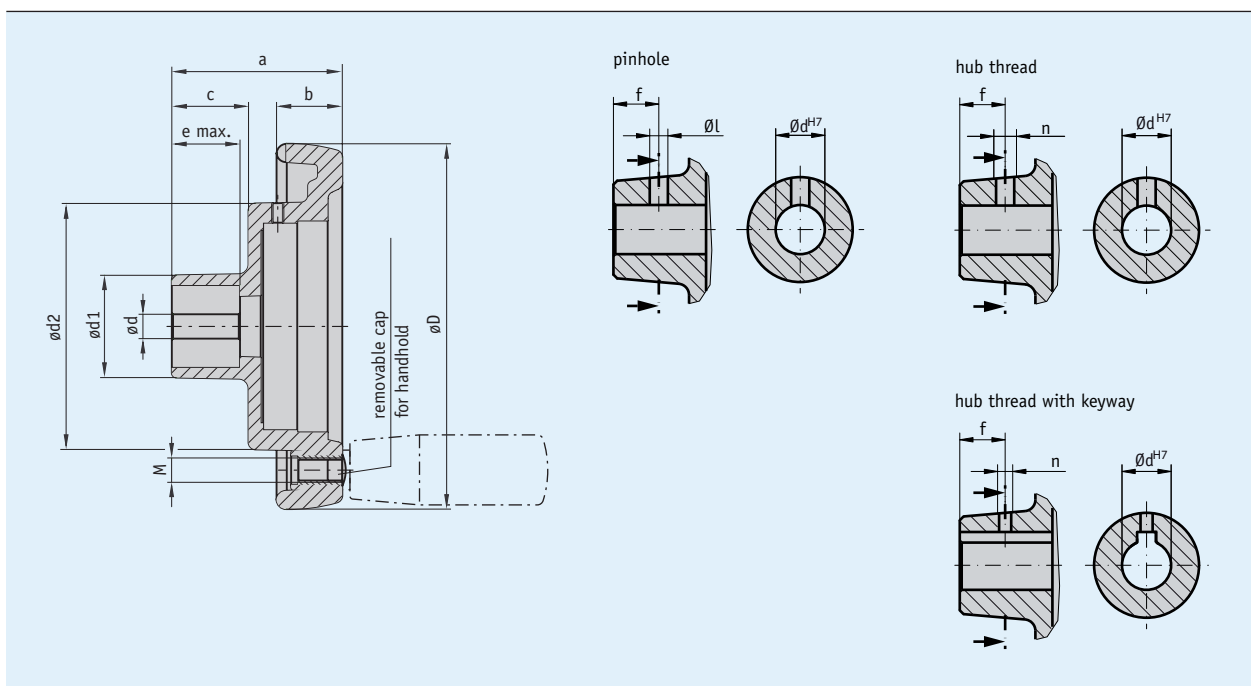


Profile

- Robust and economic plastic handwheel
- Hub made of zinc-coated steel for high stability and easy shaft mounting
- Various hub versions
- With thread for mounting a turning handle (see accessories)



Mechanical data

Feature	Technical data	Additional information
Material	plastic	hub of hot-dip steel
Weight	0.35 kg	KHB13

Table of dimensions

Type	øD	ødv	ødx	ød1	ød2	a	b	c	e	GfG	Suitable for
KHB13	130	6.8	26	42	98.2	66	24	28.5	24	M8	S80/1; SZ80/1

ødv = d prebored; ødx = d max.; GfG = Thread for handle

Special treatment

Handwheel type	KHB13						
Bore dH7	7, 8	9, 10	11, 12	13 ... 17	18 ... 20	21 ... 24	25, 26
Groove width with keyway JS9		3	4	5	6		
Pin hole	3.8/12	3.8/12	3.8/12	4.8/12	4.8/12	4.8/12	
Hub thread without keyway JS9	M4/12	M4/12	M4/12	M6/12	M6/12	M6/12	
Hub thread with keyway JS9		M3/12	M3/12	M4/12	M5/12		

Texts highlighted in orange color are ordering features

Order

Ordering information

One or more system components are required:

Analog position indicator S80/1

www.siko-global.com

Analog position indicator SZ80/1

www.siko-global.com

Ordering table

Feature	Ordering data	Specification	Additional information
Bore diameter	6.8 ...	A prebored 07 ... 26 mm, in steps of 1 mm	see Table of dimensions, maximum value ødx
Feather key groove	OP JS9	B without keyway light seat	according to DIN 6885/1 T1
Pinhole	OS ...	C without pin hole diameter "øL"/measure "f" (e.g. 3.8/12) others on request	see table Special processing, depending on the handwheel type, only if keyway is "OP", only if hub thread is "ONG"
Hub thread	ONG ...	D without hub thread thread "n"/measure "f" (e.g. M4/12) others on request	see table Special processing, depending on the handwheel type, only if pin hole is "OS"
Tapered hub	PM PS	E position indicator mounted position indicator separate	separate ordering of a position indicator required! separate ordering of a position indicator required!

Order key



Scope of delivery: KHB13

Accessories you can find:

Handwheel holder BGF
Handwheel holder UG
Handwheel holder ZGD
Handwheel holder BGD
End Plate AD

www.siko-global.com
www.siko-global.com
www.siko-global.com
www.siko-global.com
www.siko-global.com