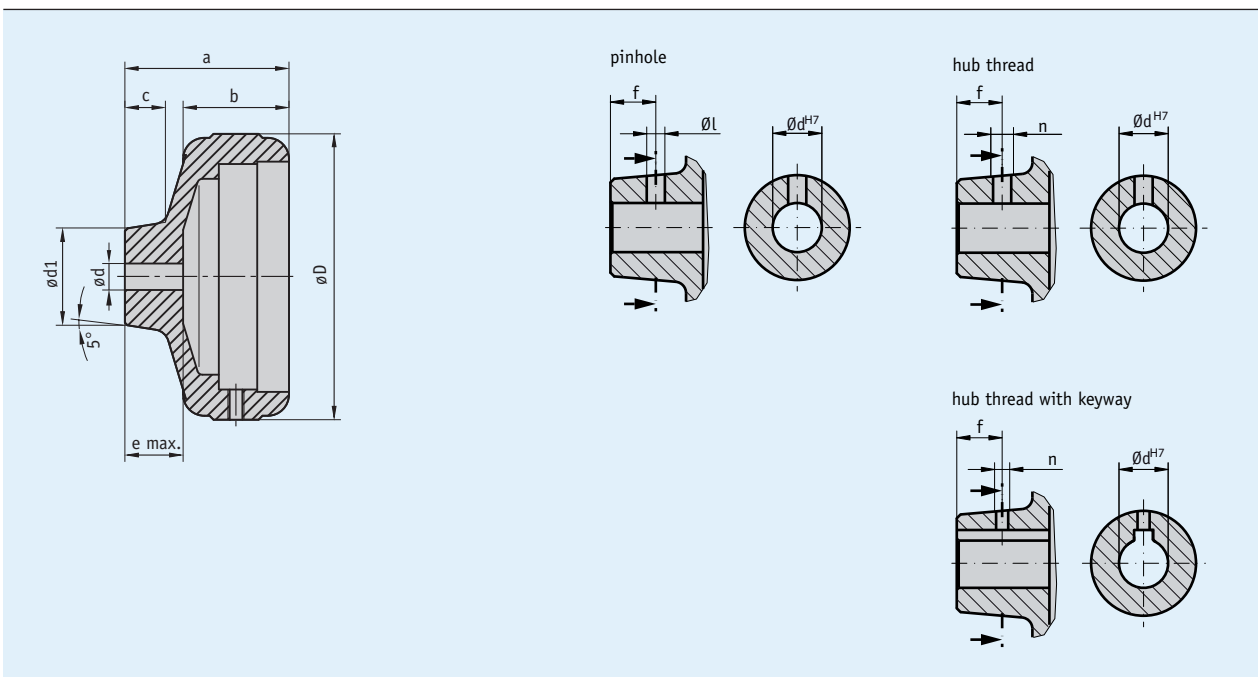


Profile

- Premium knurled aluminum handwheel
- Compact design
- Surface plastic-coated, anodized or bright-finished
- Various hub versions



Mechanical data

Feature	Technical data	Additional information
Material	aluminum	
Weight	0.3 kg	HR6

Table of dimensions

Type	øD	ødv	ødx	ød1	a	b	c	e	Suitable for
HR6	65	5.8	20	30	50	35	15	20	S50/1

ødv = d prebored; ødx = d max.

Special processing

Handwheel type	HR6				
Bore dH7	6 ... 8	9, 10	11, 12	13 ... 16	17 ... 20
Groove width with keyway JS9		3	4	5	
Pin hole	3.8/10	3.8/10	3.8/10	4.8/10	
Hub thread without keyway JS9	M4/10	M4/10	M4/10	M6/10	
Hub thread with keyway JS9		M3/10	M3/10	M4/10	

Texts highlighted in orange color are ordering features

Order

Ordering information

One or more system components are required:

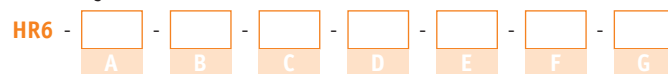
Analog position indicator S50/1

www.siko-global.com

Ordering table

Feature	Ordering data	Specification	Additional information
Surface	B A	unpainted others on request	
Bore diameter	5.8 ...	prebored 06 ... 20 mm, in steps of 1 mm	see Table of dimensions, maximum value ødx
Feather key groove	OP JS9 P9	without keyway light seat tight fit	according to DIN 6885/1 T1 according to DIN 6885/1 T1
Pinhole	OS ...	without pin hole diameter "ø"/measure "f" (e.g. 3.8/12) others on request	see table Special processing, depending on the handwheel type, only if keyway is "OP", only if hub thread is "ONG"
Hub thread	ONG ...	without hub thread thread "n"/measure "f" (e.g. M4/12) others on request	see table Special processing, depending on the handwheel type, only if pin hole is "OS"
Tapered hub	OAN F	without turned hub others on request	
Position indicator	PM PS	position indicator mounted position indicator separate	separate ordering of a position indicator required! separate ordering of a position indicator required!

Order key



Scope of delivery: HR6

Accessories you can find:
End Plate AD

www.siko-global.com