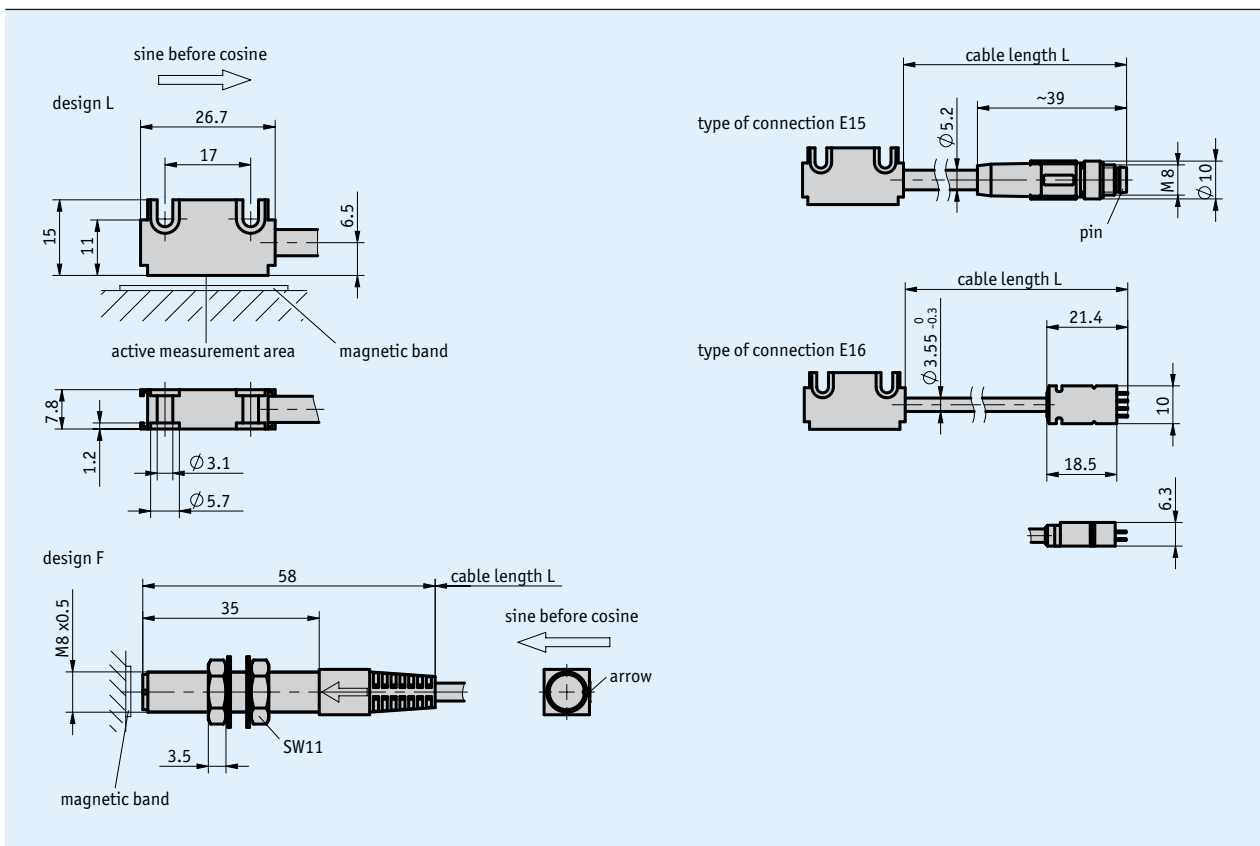
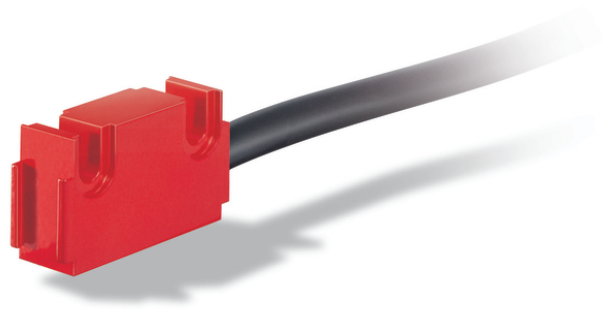


Profile

- Compact design of sensor and connector
- To be connected to AP10S or AP20S
- To be connected to MA503/2 or MA504/1
- Works with MB500/1 magnetic tape, MR500 magnetic ring, MBR500 magnetic tape ring
- Reading distance ≤ 2 mm



Mechanical data

Feature	Technical data	Additional information
Housing	aluminum red	L design
	steel	F design
Sensor/band reading distance	0.1 ... 2 mm	
Cable sheath	PVC	6-wire $\varnothing 3.55_{-0.3}$ mm (E16 type of connection)
	PUR	6-wire $\varnothing 5.2$ mm (E15 type of connection)
Cable bending radius	>17 mm (static)	E16 type of connection
	≥ 52 mm (dynamic)	E15 type of connection

Electrical data

Feature	Technical data	Additional information
Operating voltage	supply via measurement display / downstream electronic unit	
Current consumption	supply via measurement display / downstream electronic unit	
Type of connection	flat connector	8-pole, 1x pin (E16)
	M8 plug connector	6-pole, 1x pin (E15)

System data


Feature	Technical data	Additional information
System accuracy	depending on downstream electronic unit	
Repeat accuracy	depending on downstream electronic unit	
Travel speed	depending on downstream electronic unit	

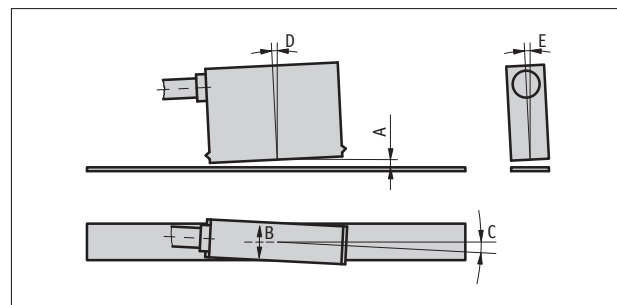
Ambient conditions

Feature	Technical data	Additional information
Ambient temperature	0 ... 60 °C	
Storage temperature	-20 ... 70 °C	
Relative humidity	100 %	Betauung zulässig (Sensorkopf)
Protection category	IP67	EN 60529 (sensor head)
Shock resistance	2000 m/s ² , 11 ms	EN 60068-2-27
Vibration resistance	200 m/s ² , 50 Hz ... 2 kHz	EN 60068-2-6

Hint for mounting

A, Sensor/tape reading distance	≤2 mm
B, Lateral offset	±2 mm
C, Alignment error	±3°
D, Longitudinal inclination	±1°
E, Lateral inclination	±3°

 The length of the cable between the sensor and connector cannot be subsequently increased or decreased.



Symbolic representation

Order

Ordering information

One or more system components are required:

Magnetic band MB500/1

Magnetic ring MR500

Magnetic band ring MBR500

www.siko-global.com

www.siko-global.com

www.siko-global.com

Ordering table

Feature	Ordering data	Specification	Additional information
Design	L	rectangular	
	F	round	only with E16 type of connection
Type of connection	E15	M8 plug	for AP10S and AP20S
	E16	tab connector	for MA503/2 and MA504/1
Cable length	...	00.2 ... 10.0 in m	only with connection type E16
	...	00.5 ... 02.5 m, in intervals of 0.5 m	only with connection type E15

Order key

MS500H - - -

Scope of delivery: MS500H, Mounting instructions, Fastening set