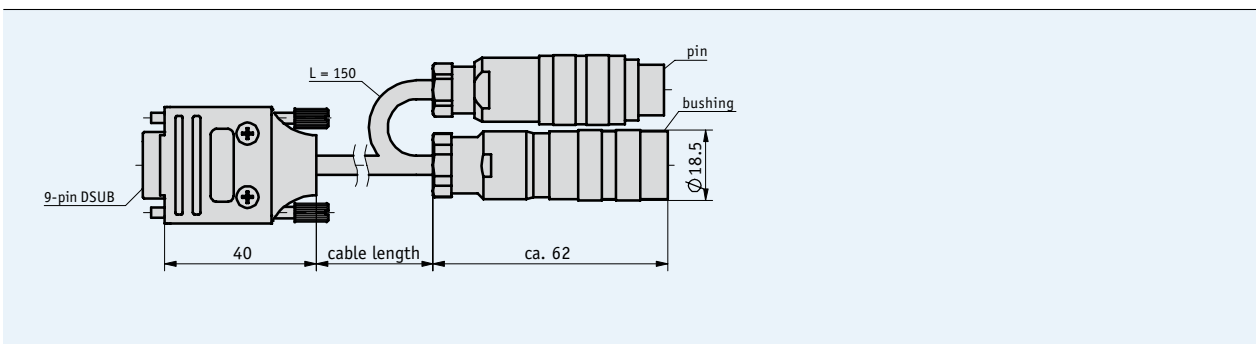


Profile

- Ready-to-use cable connection
- Cable lengths up to 5 m



4.2

Mechanical data

Feature	Technical data	Additional information
Cable	PVC	
Temperature range	-30 ... +80 °C	

Order

Order table

Feature	Order text	Specification	Additional information
Cable length in m	...	1.0, 2.0, 5.0	

Order code

KA485 - AG02/S3/00 - A - OS

Scope of delivery: KA485