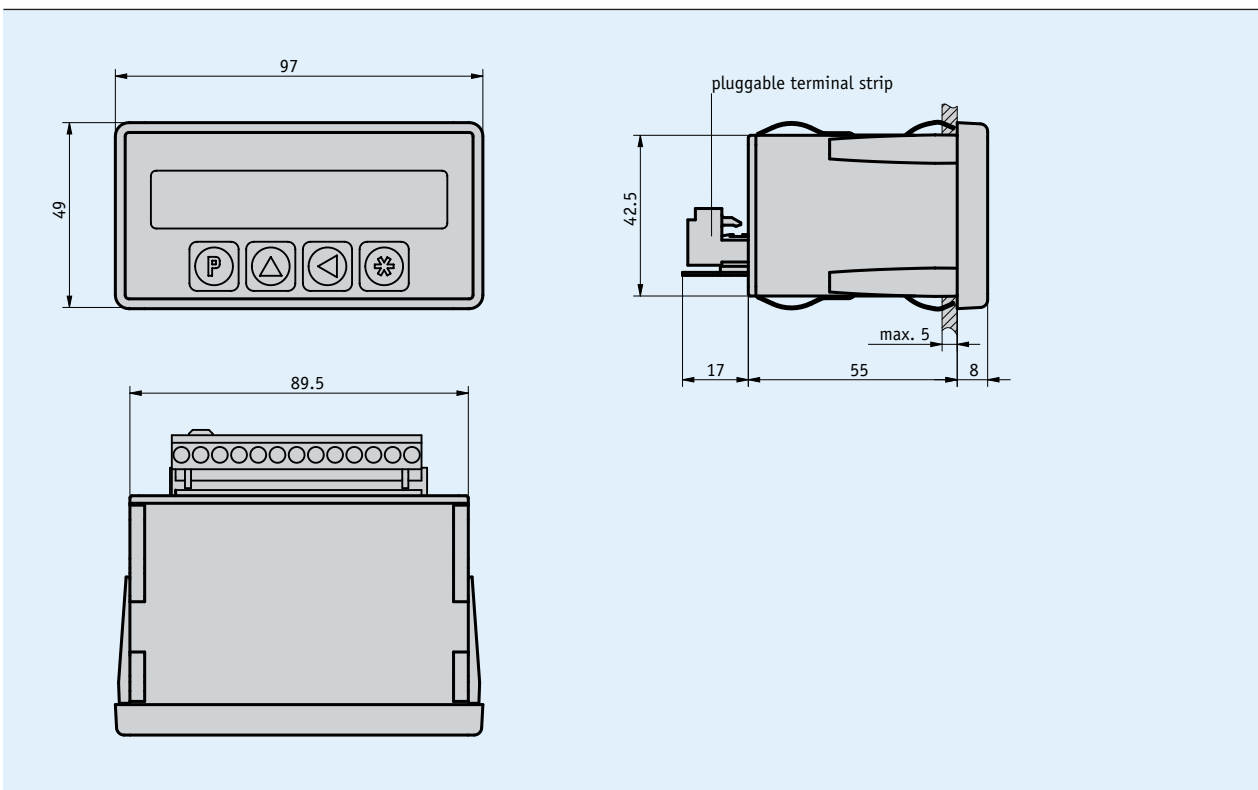


Profile

- Low-cost electronic display
- LCD with high contrast, 12-digit, dot matrix
- For incremental measuring systems
- Free programming via front keyboard



Mechanical data

Feature	Technical data	Additional information
Housing	plastic	switchboard cutout $92^{+0.8} \times 45^{+0.6}$ IEC 61554
Weight	0.4 kg	230 V AC and 115 V AC
	0.25 kg	24 V DC

Electrical data

Feature	Technical data	Additional information
Operating voltage	24 V DC $\pm 20\%$	
	115 V AC $\pm 10\%$	
	230 V AC $\pm 10\%$	
Current consumption	60 mA	at 24 V DC, without encoder
Encoder supply	24 V DC (200 mA)	
	5 V DC (200 mA)	
Encoder input frequency	≤ 250 kHz	
Encoder input	PP/OC, OP, OE, LD5, LD24	
Pulse analysis	4-fold	
Display/display range	12-digit, LCD dot matrix	-9999999 ... 9999999
Keys	membrane keys with pressure point	
Counter capacity	$\pm 2^{23}$ increments	
Type of connection	connector	13-pole

Ambient conditions

Feature	Technical data	Additional information
Ambient temperature	0 ... 50 °C	
Storage temperature	-20 ... 85 °C	
Relative humidity		condensation inadmissible
EMC	EN 61000-6-2	interference resistance / immission
	EN 61000-6-4	emitted interference / emission
Protection category	IP40 whole device	EN 60529
	IP60 on the front with switchboard installation	EN 60529

Pin assignment

Encoder input PP/OC, OE

Signal	PIN
+UB	1
A	2
nc	3
B	4
nc	5
I	6
nc	7
GND	8
RFS (switching to ground)	9
GND	10
PE, ground wire	11
115, 230 V AC / 0 V	12
115, 230 V AC / +24 V DC	13

Encoder input LD..., OP

Signal	PIN
+UB	1
A	2
/A	3
B	4
/B	5
I	6
/I	7
GND	8
RFS (switching to ground)	9
GND	10
PE, ground wire	11
115, 230 V AC / 0 V	12
115, 230 V AC / +24 V DC	13

Order

Ordering table

Feature	Ordering data	Specification	Additional information
Operating voltage	1	230 V AC	
	2	115 V AC	
	4	24 V DC	
Encoder input	PP/OC	push-pull/open collector	
	OE	open emitter	
	OP	PP inverted	
	LD5	line driver, 5 V DC encoder supply	
	LD24	line driver, 24 V DC encoder supply	

Order key

MA48 - EG - - - BS - S

A
B

Scope of delivery: MA48, Mounting instructions

Accessories:
Table-top housing TG01

www.siko-global.com