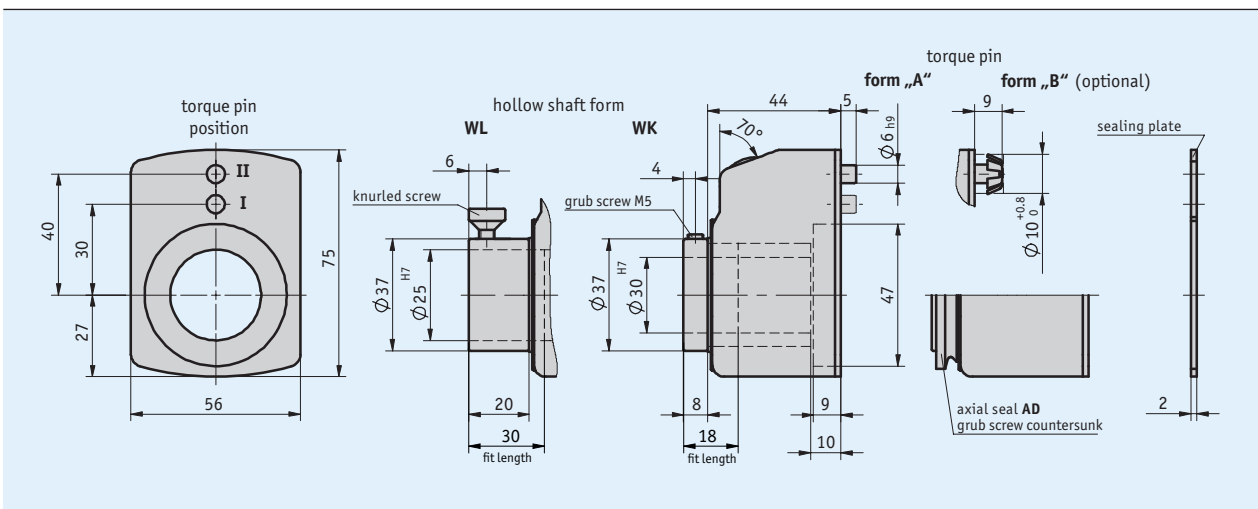


### Profile

- Designed for large diameters
- Hollow shaft, max. Ø 30 mm
- Counter with 5 decades and fine reading
- Display can be designed for "mm" or "inch"
- Magnifying function for good readability
- Stainless-steel driving shaft as an option
- Axial seal, dustproof and splash-proof



### Mechanical data

Feature	Technical data	Additional information
Housing	reinforced plastic	
Sight window	plastic	mineral glass as an option
Counter	5 decades, fine reading	
Digit height	~7 mm	
Weight	0.1 kg	

### ■ Max. speed

Display (after 1st revolution)	max. speed [rpm]
00010	500 (1500)
00015	500 (1000)
00020	500 (750)
00025	500 (600)
00030	500
00040	375
00050	300
00060	250
00080	180
00100	150

#### Formula:

$$\text{max. speed} = \frac{15000}{\text{indication after 1st revolution}}$$

Speeds >500 rpm must only be run for short periods.

### Ambient conditions

Feature	Technical data	Additional information
Ambient temperature	0 ... 80 °C	

### Order

#### Ordering information

Display	Mounting position				Counting direction
	 12	 14	 16	 17	

Hint: Texts highlighted in orange color are ordering features

#### Ordering table

Feature	Ordering data	Specification	Additional information
Mounting position	... <b>A</b>	12, 14, 16, 17	see the icons illustrating the mounting positions
Indication after 1st revolution	... <b>B</b>	6/5, 10, 15, 17/5, 20, 25, 30, 39/4, 40, 50, 60, 80, 100 others on request	/5 = arithmetical value not displayed
Decimal place	0 <b>C</b>	0 = 00000	
	1 <b>C</b>	1 = 0000.0	
	2 <b>C</b>	2 = 000.00	
	3 <b>C</b>	3 = 00.000	
	4 <b>C</b>	4 = 0.0000	
Counting direction	i <b>D</b>	clockwise ascending values	
	e <b>D</b>	counter-clockwise ascending values	
Hollow shaft/diameter	... <b>E</b>	30, 25	
	... <b>E</b>	VA30	stainless steel
	... <b>E</b>	RH10, RH12, RH14, RH16, RH20, RH25	reducing bushes
Hollow shaft/design	WK <b>F</b>	hollow shaft short	not with hollow shaft/diameter "25"
	WL <b>F</b>	hollow shaft long	only with hollow shaft/diameter "25"
Torque pin/position	I <b>G</b>	position I	
	II <b>G</b>	position II	
Color	O <b>H</b>	orange RAL 2004	
	S <b>H</b>	black RAL 9005	
Axial seal	OAD <b>I</b>	without axial seal	
	AD <b>I</b>	with axial seal	

#### Order key



Scope of delivery: DA10

Accessories:  
Reduction sleeve RH

[www.siko-global.com](http://www.siko-global.com)