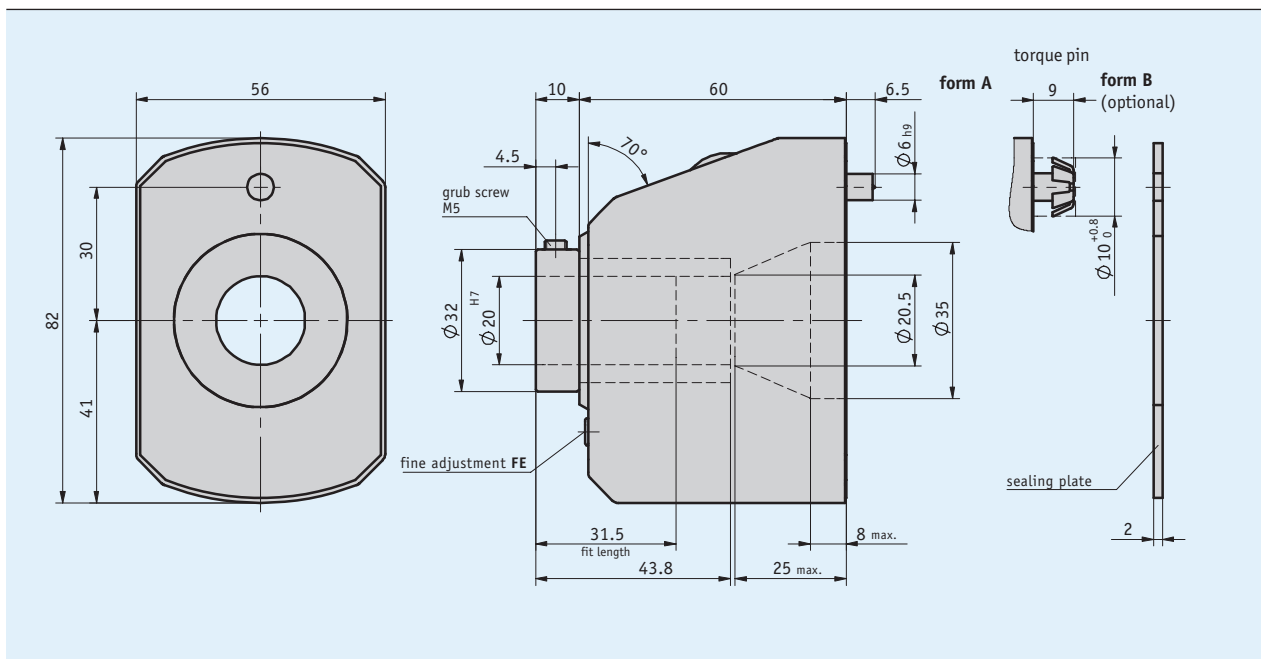


### Profile

- Robust design in a metal housing
- Hollow shaft, max. Ø 20 mm
- Counter with 5 decades and fine reading
- Display can be designed for “mm” or “inch”
- Attenuated counter system
- Fine setting for correction of dimensions
- Reversible counting direction



### Mechanical data

Feature	Technical data	Additional information
Housing	zinc die-cast	
Counter	5 decades, fine reading	
Digit height	~7 mm	
Weight	0.5 kg	

#### ■ max. speed

Display (after 1st revolution)	max. speed [rpm]
00010	500 (1500)
00015	500 (1000)
00020	500 (750)
00025	500 (600)
00030	500
00040	375
00050	300
00060	250
00080	180
00100	150

#### Formula:

$$\text{max. speed} = \frac{15000}{\text{indication after 1st revolution}}$$

Speeds >500 rpm must only be run for short periods.

### Ambient conditions

Feature	Technical data	Additional information
Ambient temperature	0 ... 80 °C	

### Order

#### Ordering information

Display	Mounting position		Counting direction
	 <b>02</b>	 <b>04</b>	 <b>e</b> <b>i</b>

Hint: Texts highlighted in orange color are ordering features

#### Ordering table

Feature	Ordering data	Specification	Additional information
Mounting position	... <b>A</b>	<b>02, 04</b>	see the icons illustrating the mounting positions
Indication after 1st revolution	... <b>B</b>	<b>10, 15, 20, 25, 30, 40, 50, 60, 80, 100</b> others on request	
Decimal place	<b>0</b>	0 = 00000	
	<b>1</b>	1 = 0000.0	
	<b>2</b>	2 = 000.00	
	<b>3</b>	3 = 00.000	
	<b>4</b>	4 = 0.0000	
Counting direction	<b>i</b>	clockwise ascending values	
	<b>e</b>	counter-clockwise ascending values	
	<b>e/i</b>	can be adjusted by the customer	by opening the housing, see mounting instructions
Hollow shaft/diameter	... <b>E</b>	<b>20</b> in mm	
	...	<b>RH8, RH10, RH12, RH14, RH16, RH18</b>	reducing bushes
Color	<b>0</b>	orange RAL 2004	
	<b>S</b>	black RAL 9005	
Fine adjustment	<b>FE</b>	with fine adjustment	
	<b>OFE</b>	without fine graduation	
Slipping clutch	<b>RK</b>	with sliding clutch	only with fine adjustment "FE"
	<b>ORK</b>	without sliding clutch	only with fine adjustment "OFE"
Labyrinth seal	<b>OLD</b>	without labyrinth seal	
	<b>LD</b>	with labyrinth seal	

#### Order key



Scope of delivery: DA05/1, Mounting instructions

Accessories:  
Reduction sleeve RH

[www.siko-global.com](http://www.siko-global.com)