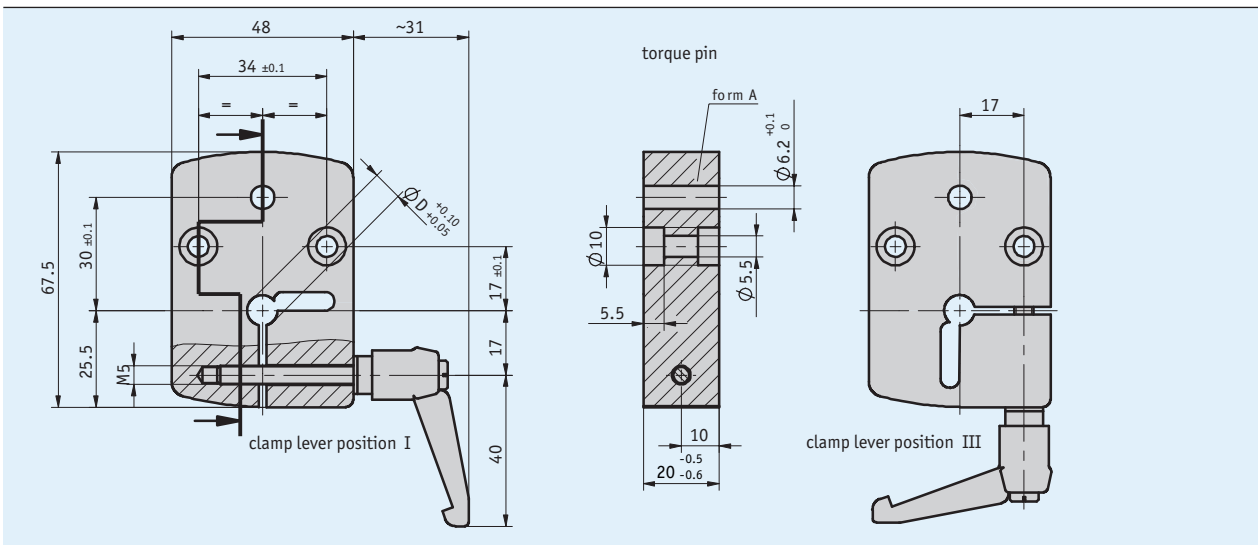


Profile

- For shaft diameters 8 ... 20 mm
- Selectable clamp lever position
- Easy mounting and retrofitting



Mechanical data

Feature	Technical data	Additional information
Housing	anodized aluminum	
Clamping lever	plastic, engaging	

Order

Ordering table

Feature	Ordering data	Specification	Additional information
Bore/diameter	...	A 8, 10, 12, 14, 15, 16, 18, 20 in mm others on request	
Clamp lever/position	I III	B position I position III	

Order key

KP09 - - - A

A B

Scope of delivery: KP09