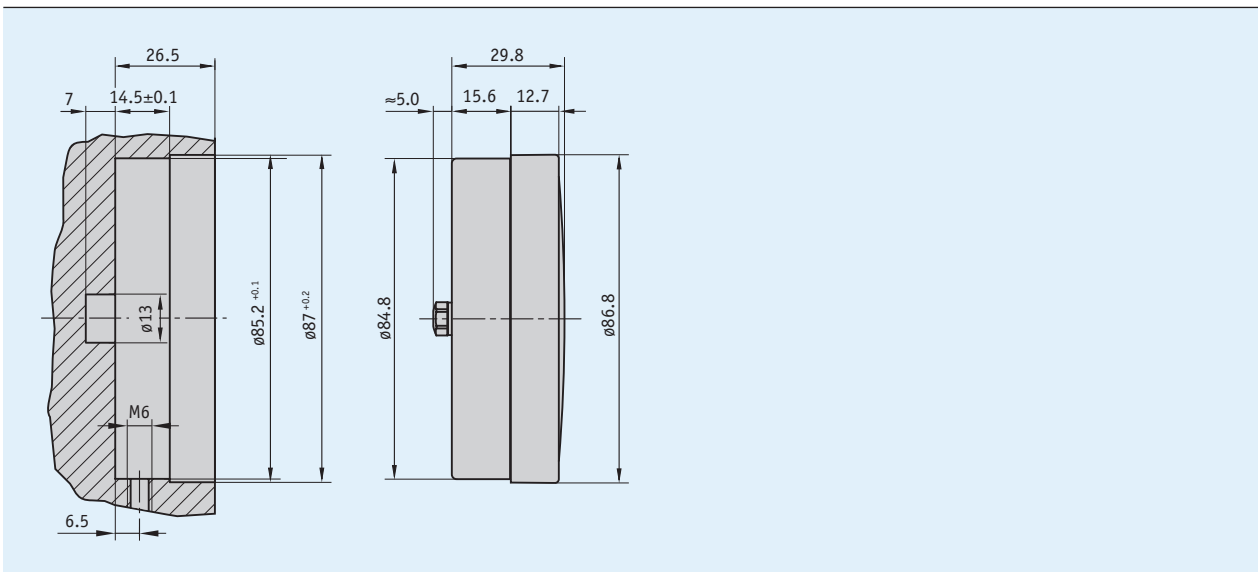


Profile

- Analog position indicator
- Measured value acquisition based on the gravity principle
- High stability thanks to doubly supported pointer shaft
- Very robust, glass-fiber reinforced plastic housing
- Wide range of gear ratios
- Special scales, also for small numbers of pieces
- Dustproof, oil-filled or waterproof versions



Mechanical data

Feature	Technical data	Additional information
Housing	reinforced plastic	
Weight	0.1 kg	N, W design
	0.2 kg	P design

Order

Ordering information

One or more system components are required:

Handwheel HR...	www.siko-global.com
Handwheel HST...	www.siko-global.com
Handwheel HK...	www.siko-global.com
Handwheel HS...	www.siko-global.com
Handwheel HG...	www.siko-global.com
Handwheel KHB...	www.siko-global.com

Ordering table

Feature	Ordering data	Specification	Additional information
Version	N	dust-proof	
	P	oil-filled	
	W	waterproof	
Gear ratio	...	1, 2, 3, 6, 10, 12, 15, 18, 20, 24, 30, 36, 48, 50, 60, 72, 84, 96, 100	
		others on request	
Sense of rotation	i	clockwise ascending values	
	e	counter-clockwise ascending values	
Pointer	1	red with transmission	
	2	red with transmission + black 1:1	
Covering glass	S	plastic	
	A	synthetic material, acetone-resistant	
	M	mineral glass	only for "N" design
Zero position	ON	without zero position	
	MN	with zero position	only for "N" design
Scale	N..	normal scale	related to the transformation ratio
	VK..	special scale	customer-specific, no VK for first production
Multi-color scale	C1	1-colored	
	C2	2-colored	
	C3	3-colored	

Order key



Scope of delivery: S80/1