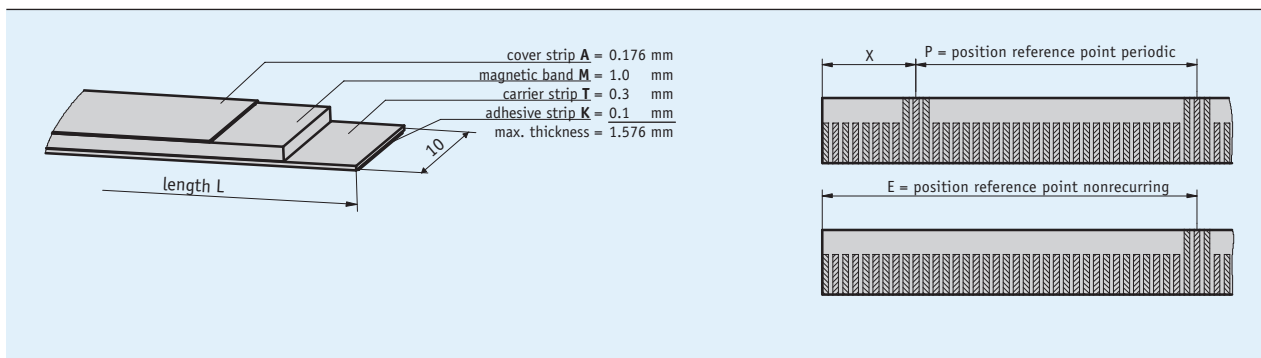
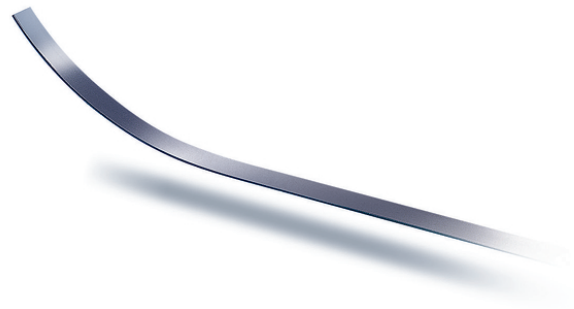


Profile

- Easy adhesive mounting, self-assembly possible
- Reels up to 100 m available
- Linearity deviation up to $\pm 20 \mu\text{m}$



Mechanical data

Feature	Technical data	Additional information
Material	stainless steel	cover strip
Band width	10 mm	
Band thickness	1.4 mm	without cover strip
Mounting type	adhesive connection	premounted double-sided adhesive tape
Accuracy class	20 μm	

■ Measurement table of reference points

Reference points [m]	
Fixed distance X	0.05
Periodic P	0.06, 0.2
Onetime E	0.05, 0.1, 0.16, 0.2, 0.5, 0.8

System data

Feature	Technical data	Additional information
Pole length	2 mm	
Linearity deviation	$\pm 20 \mu\text{m}$	at $T_{01} = 20^\circ \text{C}$
Measuring range	∞	

Ambient conditions

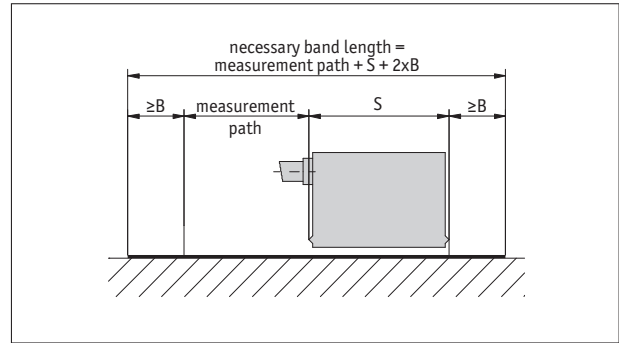
Feature	Technical data	Additional information
Ambient temperature	-20 ... 100 °C	
Storage temperature	-40 ... 100 °C	
Expansion coefficient	$(11 \pm 1) \times 10^{-6} / \text{K}$	spring steel
Relative humidity	100 %	condensation admissible

Order

Ordering information

The necessary tape length is calculated from:
 Measured distance + sensor length "S" + (2 x forerun or overrun "B", resp.).

S	see the drawing of the sensor used
B	10 mm (forerun and overrun)



Symbolic representation

Ordering table

Feature	Ordering data	Specification	Additional information
Length	... A	000.10 ... 100.00 m, in intervals of 0.1 m	ordering detail, see "Ordering information"
Material carrier tape	St B	steel	
	VA B	stainless steel	
Adhesive carrier tape	TM C	with	
	TO C	without	
Cover strip	AM D	with	
	AO D	without	
Reference point	O E	without	optional with flexible reference mark, see accessories
	E E	one-time	
	P E	periodic	
Reference point position	... F	0.05, 0.1, 0.16, 0.2, 0.5, 0.8 in m	indicate only if reference point E is chosen, ≤5.0 m
	... F	0.06, 0.2 in m	indicate only if reference point P is chosen
	... F	others on request	

Order key



Scope of delivery: MB200/1

Accessories:

- Profile Rail PS
- Protective band SB
- Profile Rail PS1
- Installation tool ZB3054
- Flexible reference mark

- www.siko-global.com
- www.siko-global.com
- www.siko-global.com
- www.siko-global.com
- Order key 88678