

Absolute Position Indicator AP04S

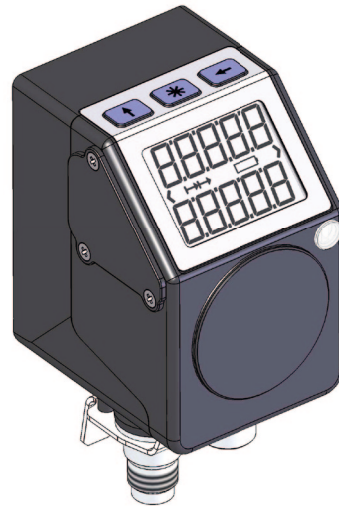


SIKO GmbH

Address
 Weihermattenweg 2
 79256 Buchenbach

Telephone
 +49 7661 394-0
Fax
 +49 7661 394-388

eMail
 info@siko.de
Internet
 www.siko-global.com



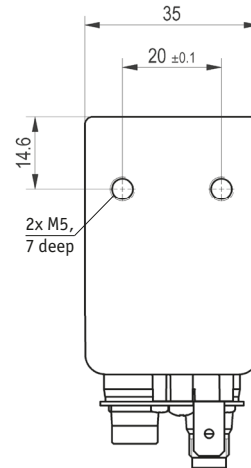
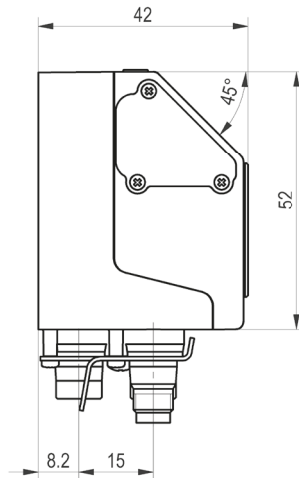
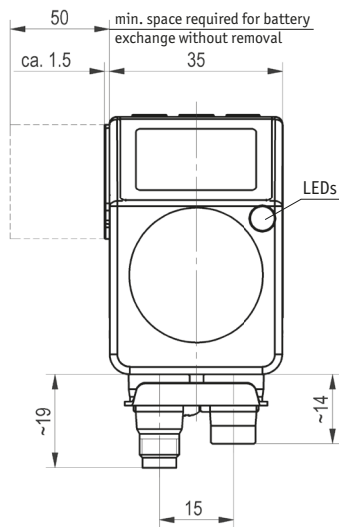
Features:

- electronic position indicator with plug connection for magnetic sensor
- for direct linear measurement
- for magnetic sensor MS500H plus magnetic tape MB500
- easy readable, 2-line LCD display for position and target value
- with integral interface RS485, option: CANopen
- display resolution to 0.01 mm
- absolute function for internal back-up
- System accuracy $\pm 35 \mu\text{m}$
- user navigation via multi-color LED

Features	Order text	Additional information
Interface/protocol	S3/00	RS485 / SIKONETZ3,4
	S3/09	RS485 / SIKONETZ5
	CAN	CANopen
Software	S	
Protection	IP54	standard
	IP65	

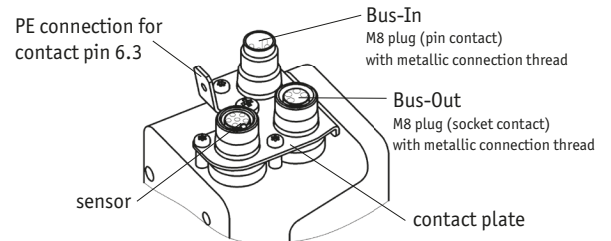
Your ordering: AP04S - A - B - C

Absolute Position Indicator AP04S



Pin assignment Bus

Pin	Signal
1	DÜB/CANL
2	DÜA/CANH
3	+UB
4	GND



Technical data

Mechanical data:

Housing	reinforced plastic
Color	black, RAL 9005

Electrical data:

Operating voltage	24 V DC ±20 %
Current consumption	~20 mA
Battery service life	~5 year(s)
Display/display range	5-digit LCD 7-segment, ~7 mm height
Special character	left arrow, right arrow, 'incremental measurement', battery
Status display	two-color LED (red/green)
Keys	keys for 'incremental measurement', for programming and reset
Bus connection	RS485; CANopen
Type of connection	2x M8 plug connectors (A-coded) 1x M8 plug connectors (A-coded) grounding via flat connector 6.3 mm

System data:

Scanning	external sensor
Resolution	720 increments/revolution 0.01, 0.1, 1, 10 mm 0.001, 0.01, 0.1, 1 inch
System accuracy	±35 µm
Measuring range	±655 m
Measuring range	≤14562 revolution(s)

Ambient conditions:

Ambient temperature	0 ... 60 °C
Storage temperature	-20 ... 80 °C
Relative humidity	condensation inadmissible
Protection category	IP54, IP65

Accessory

BAS-0005	bus termination connector	
KV04S1	cable extension	
84209	matting connector 4pins socket straight	M8 can be shielded
84210	matting connector 4pins pin straight	M8 can be shielded

Spare battery

ZB1027	battery unit
--------	--------------

Additional information

plug thread / PE metal connection

if operated with LEDs, additional ~3 mA per LED

decimal points, 2 rows, special characters

position status, configurable

no galvanic isolation

4-pole, 1x socket, 1x pin
6-pole, 1x socket (sensor)

use with GS04

use with MS500H

use with MS500H

use with GS04

condensation inadmissible

EN 60529, only with mating connector