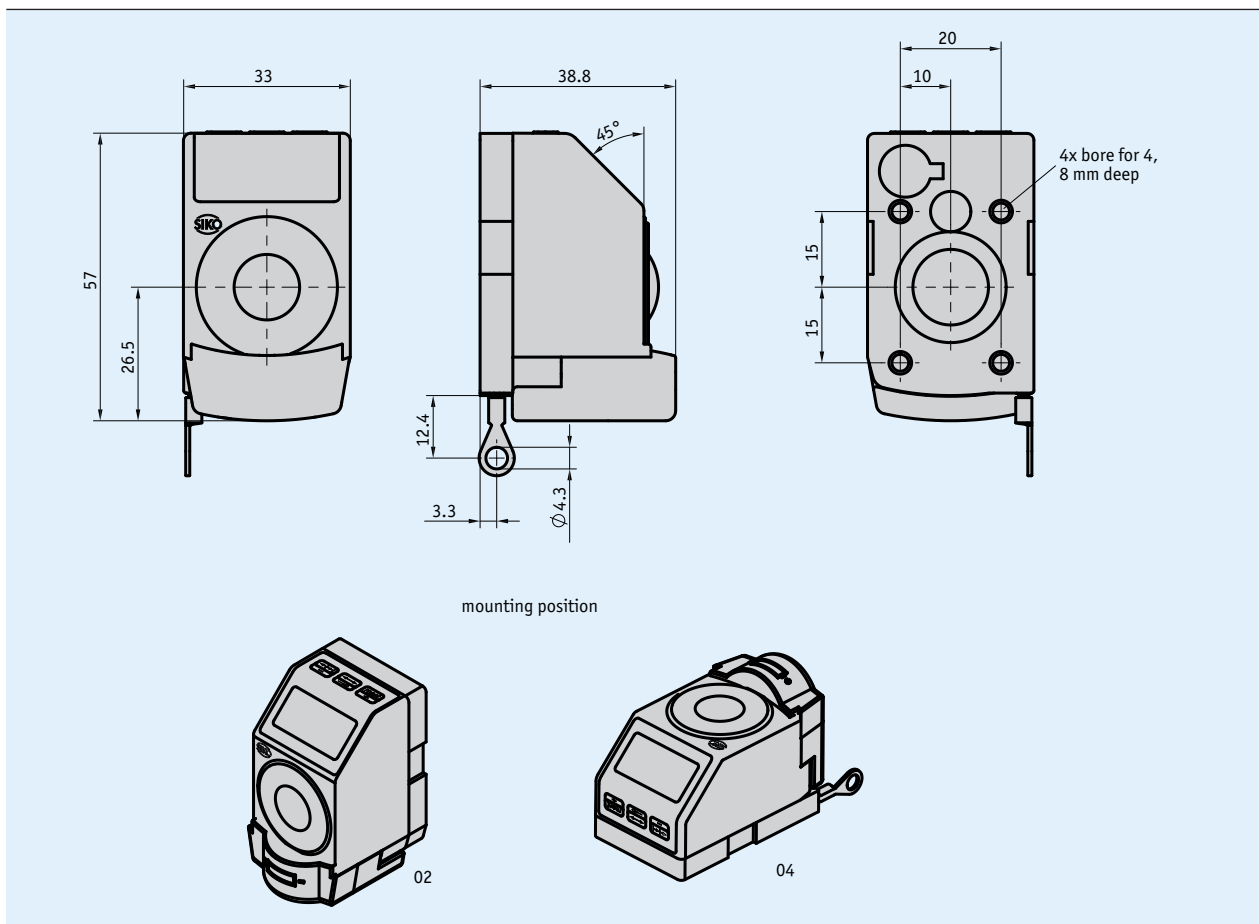


## Profile

- Wire-actuated encoder with a freely programmable electronic digital display
- Linear distance measurement up to 1000 mm
- Long battery life
- Easy battery change without dismantling of the device
- LCD display with 5 digits and special characters
- Digit height approx. 8 mm
- Flexible mounting position
- Easy mounting



## Mechanical data

Feature	Technical data	Additional information
Housing	plastic	
Wire design	∅0.36 mm	steel wire (stainless), plastic coated
Extension force	≥3 N	
Weight	~0.06	

## Electrical data

Feature	Technical data	Additional information
Battery	lithium coin cell, 3 V, CR2477 type	~8 years service life
Display/display range	5-digit LCD 7-segment, ~8 mm height	-19999 ... 99999

## System data

Feature	Technical data	Additional information
Repeat accuracy	±0.15 mm	
Travel speed	≤800 mm/s	

## Ambient conditions

Feature	Technical data	Additional information
Ambient temperature	-10 ... 60 °C	
Storage temperature	-30 ... 80 °C	
EMC	EN 61000-6-2 EN 61000-6-4	interference resistance / immission electromagnetic emission
Protection category	IP50	EN 60529

## Order

### Ordering table

Feature	Ordering data	Specification	Additional information
Mounting position	02	downward wire extension	
	04	horizontal wire extension	
Measuring range	1000	1000 mm, resolution 1 mm	
	1000.0	1000 mm, resolution 0.1 mm	
	40.0	40 inch, resolution 0.1 inch	
	40.00	40 inch, resolution 0.01 inch	
Counting direction	e	ascending with wire extension	
	i	descending with wire extension	
Key pad operation	D	direct zeroing	
	V	zeroing delayed by 5 s	

### Order key

SDE04 -   -   -   -   - 0 - B8

A
B
C
D

*Scope of delivery: SDE04, User information*