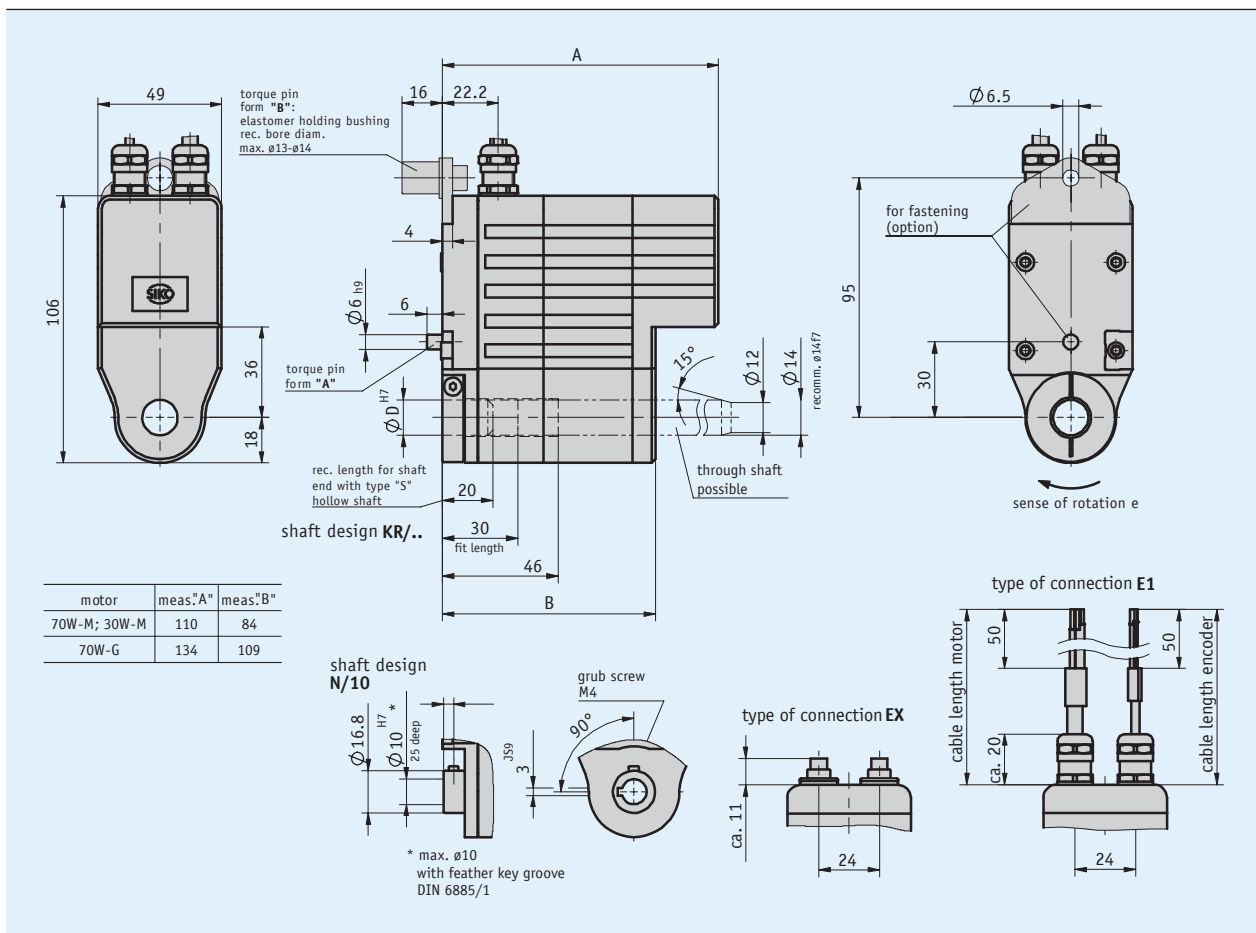


Profile

- Easy mounting
- Through hollow shafts up to max. $\varnothing 14$ mm possible
- Integrated magnetic position encoder on output shaft
- Electrical connection via cable or connector



Mechanical data

Feature	Technical data	Additional information
Shaft	black-finished steel	
Housing	aluminum, powder coated zinc die cast	
Nominal torque/rated speed	1.1 Nm at 430 rpm 2.1 Nm at 225 rpm 4.2 Nm at 110 rpm	i = 12.4 (70 W motors) i = 24 (70 W motors) i = 48 (70 W motors)
Operating mode	S3 intermittent operation: 25 % DC, 10 min.	EN 60034-1
Weight	~1.5 kg	

Electrical data

■ Motor

Feature	Technical data	Additional information
Operating voltage	0 ... 24 V DC	70 W motors
Power input	70 W	
Rated current	2.9 A ±10 % (70W-M)	3.2 A max. load current
	4.1 A ±10 % (70W-G)	4.5 A max. load current
Type of connection	2x M9 plug connectors	4-pole, 1x pin; 8-pole, 1x pin

■ Encoder

Feature	Technical data	Additional information
Operating voltage	5 V DC ±5 %	LD5 position encoder
	24 V DC ±20 %	LD24 + OP position encoder
Current consumption	≤35 mA	
Output circuit	Line Driver (RS422)	LD5 + LD24 position encoders
	Push Pull (OP)	OP position encoder
Output signals	A, B, 0, /A, /B, I	
Pulse frequency	≤20 kHz	

Ambient conditions

Feature	Technical data	Additional information
Ambient temperature	0 ... 70 °C	
	0 ... 80 °C	without position encoder
Storage temperature	-20 ... 80 °C	
Relative humidity		condensation inadmissible
EMC	EN 61800-3, second environment	interference resistance / immission
	EN 61800-3, C3	emitted interference / emission
Protection category	IP63	EN 60529, with mating connectors mounted
Shock resistance	500 m/s ² , 11 ms	EN 60068-2-27
Vibration resistance	≤100 m/s ² , 5 ... 150 Hz	EN 60068-2-6

Pin assignment

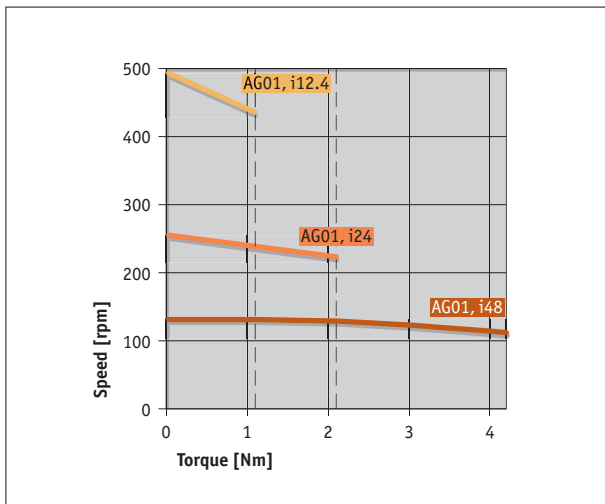
Motor

Signal	EX	E1
+	1	M1, white imprinted
+	2	
-	3	M2, white imprinted
-	4	

Encoder

Signal	EX	E1
B	1	white
+UB	2	brown
0	3	green
A	4	yellow
GND	5	gray
/A	6	pink
/B	7	blue
I	8	red

Performance curve



Order

Ordering table

Feature	Ordering data	Specification	Additional information
Gear ratio	48	i = 48	
	24	i = 24	
	12.4	i = 12.4	
Motor performance	70W-M	24 V DC	
	70W-G	24 V DC	
		others on request	
Shaft design/diameter	KR/14	clamping ring, ø14 mm	
	KR/12	clamping ring, ø12 mm	
	N/10	keyway	only for type S hollow shaft
Hollow shaft type	S	blind hole	
	D	full-length	
Torque pin	A	bolt, ø6 mm	
	B	lug I	incl. elastomer bushing
Type of connection	E1	open cable	
	EX	socket on the device	
Motor cable length	02.0	in m	
		others on request	
Encoder cable length	02.0	in m	
		others on request	
Position encoder	LD24	incremental encoder 1024 pulses	
	LD5	incremental encoder 1024 pulses	
	OP	Push-pull with inverting	
	0	without	

Order key



Scope of delivery: AG01 Incremental, Quick Start Guide

Accessories you can find:

- Cable extension KV04S0
- Cable extension KV08S0
- Motor control module MS02
- Electronic display MA55
- Electronic display MA48
- Electronic display MA10/4
- Mating Connector Overview
- Mating connector, motor, 4-pole, socket
- Mating connector, encoder, 8-pole, socket

- www.siko-global.com
- www.siko-global.com
- www.siko-global.com
- www.siko-global.com
- www.siko-global.com
- www.siko-global.com
- www.siko-global.com
- Order key 83447
- Order key 81351