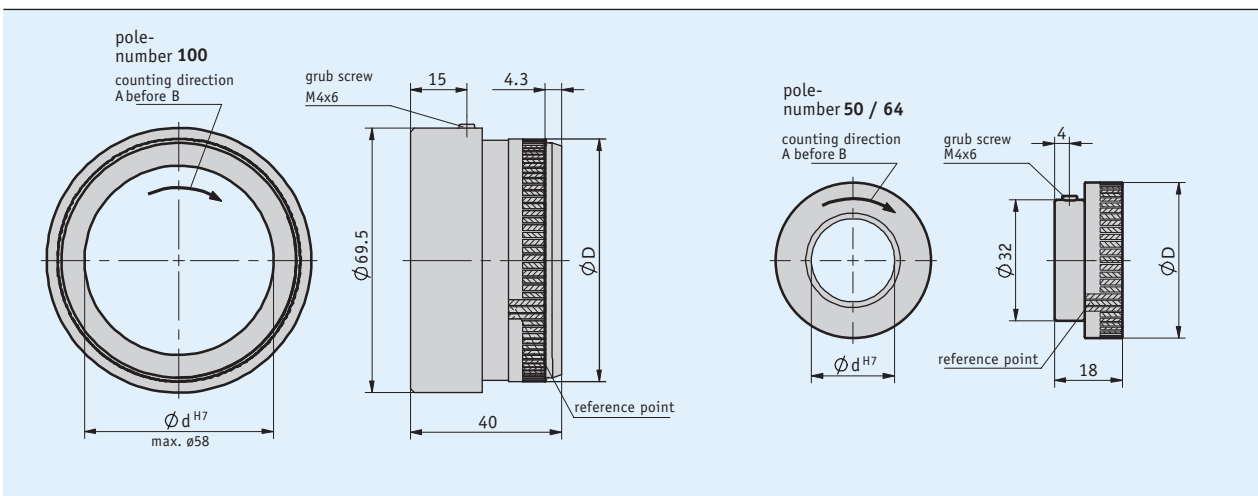
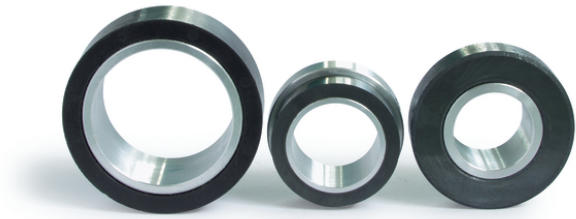


Profile

- Easy hollow-shaft mounting
- Rotary encoder system with IP67 protection category (in combination with MSK210)
- Up to 2000 pulses/revolution (8000 increments)
- With reference point as an option



Mechanical data

Feature	Technical data	Additional information
Flange	aluminum	

Table of dimensions

Poles	50	64	100
Diameter D [mm]	32.3	41.2	64.14
Circumference [mm]	100	130	200
Speed [min ⁻¹]	≤15000	≤11500	≤7500

System data

Feature	Technical data	Additional information
Pole length	2 mm	
System accuracy	±0.1°	
Measuring range	360°	

■ Pulses/revolution

Pole number	50	64	100
Sensor scaling factor			
20	1000	1280	2000
16	800	1024	1600
10	500	640	1000
8	400	512	800
5	250	320	500
4	200	256	400
1	50	64	100

The table applies to the combination of MR200 with MSK210

Ambient conditions

Feature	Technical data	Additional information
Ambient temperature	0 ... 60 °C	50, 64 pole number
	-20 ... 70 °C	100 pole number
Storage temperature	-20 ... 70 °C	
Relative humidity	100 %	condensation admissible
Protection category	IP67	EN 60529

Order

■ Ordering table

Feature	Ordering data	Specification	Additional information
Pole number	50	50 poles	hard ferrite
	64	64 poles	hard ferrite
	100	100 poles	flexible magnetic tape
		others on request	
Bore/diameter	20	ø20 mm	
		others on request	
Type of fastening	MNG	hub thread	
	ONG	without hub thread	
Reference point	O	without	
	M	with	

■ Order key

MR200 - - - -

A B C D

Scope of delivery: MR200